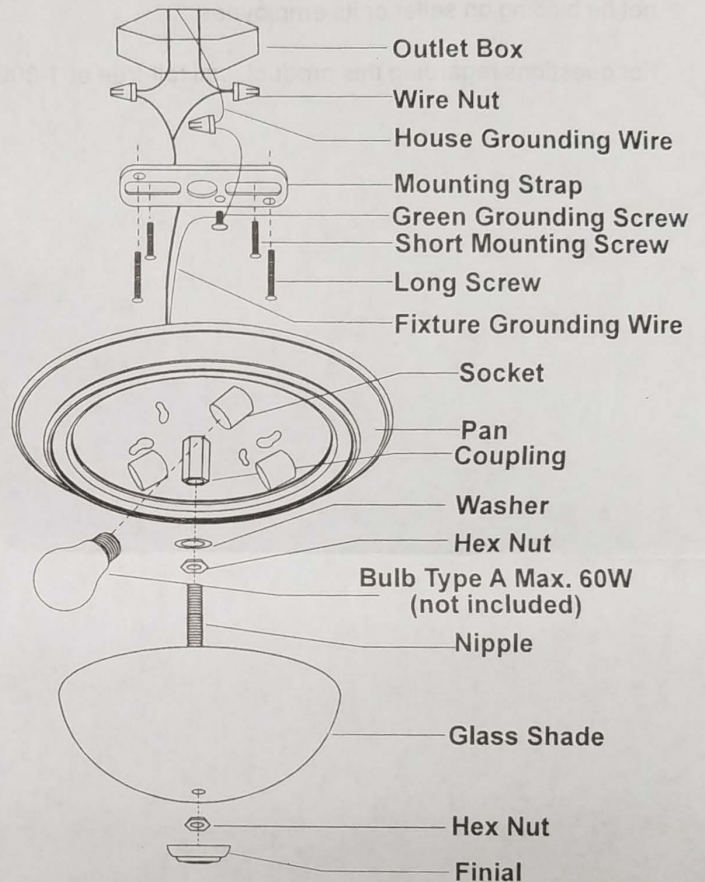
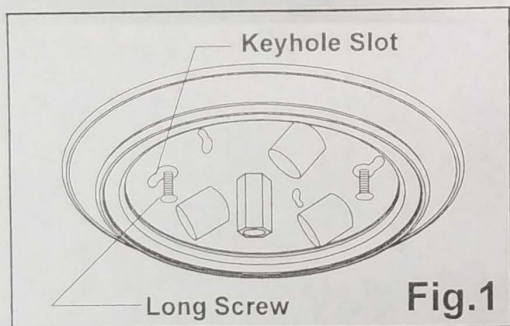
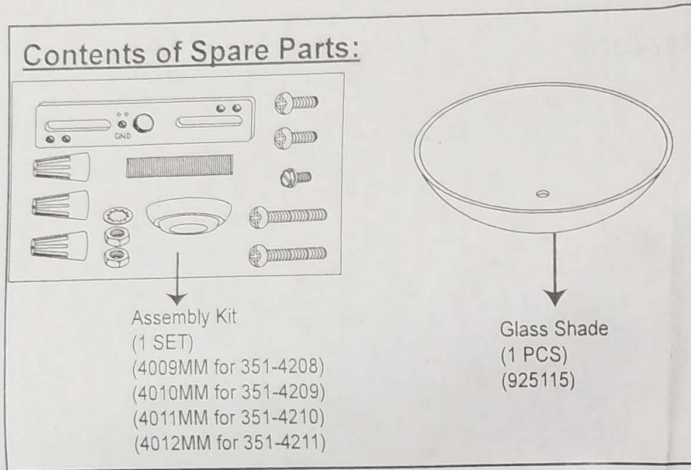


ASSEMBLY AND INSTALLATION INSTRUCTIONS

351-4208 / 351-4209 / 351-4210 / 351-4211

WARNING: Turn off the main power at circuit breaker before installing fixture.
AVERTISSEMENT: Coupez la source d'alimentation principale au panneau central de disjoncteurs avant d'installer le luminaire.

NOTE: 1. Before installing, consult local electrical codes for wiring and grounding requirements.
 2. Customer Service: 1-800-887-6326 (weekdays 8 a.m. – 5 p.m. CST)
 3. READ AND SAVE THESE INSTRUCTIONS.



1. Attach the two long screws to the mounting strap, and screw in 2 to 3 turns.
2. Attach the mounting strap to the outlet box using two short mounting screws.
3. Pull out the outlet wires and the house grounding wire from the outlet box. Make wire connections using the wire nuts:
 - The black wire from the fixture to the black wire from the power source.
 - The white wire from the fixture to the white wire from the power source.
 - Attach the fixture grounding wire to the mounting strap with the green grounding screw. Then connect it to the house grounding wire with the wire nut.
 Carefully put the wires back into the outlet box.
4. Attach the pan to the mounting strap by inserting two long screw heads into the key holes, and rotate the pan until it locks in place. Then secure the screws tightly. (See Fig.1)
5. Screw the nipple into the coupling, then secure it with a washer and hex nut.
6. Install bulbs (not included). See relamping label at socket area or packaging for maximum allowed wattage.
7. Attach the glass shade to the pan by inserting the nipple, then secure it with a hex nut and finial.
8. Turn on the power at the main fuse or circuit breaker box.

Patriot Lighting™

140416

5-YEAR LIMITED WARRANTY:

This Patriot Lighting fixture carries a limited warranty against defects in material or workmanship. If the Patriot Lighting product fails at any time within five (5) years after the original date of sale due to defects in material or workmanship, return the product to Menards with the original sales receipt. At its discretion, Patriot Lighting will replace the defective fixture with the same or similar fixture or issue a refund. This warranty and any implied warranty (including but not limited to any implied warranty of merchantability or fitness for a particular purpose) does not cover glass globes, light bulbs and other expendable items. This warranty excludes coverage of finish or color against tarnishing, flaking, and discoloration. If the original purchaser ceases to own the Patriot Lighting product this warranty and any implied warranty will be void. This warranty does not cover damage caused by misuse or abuse, including but not limited to improper installation, improper usage, accident, negligence, unauthorized repair, unauthorized modifications, or unauthorized maintenance of the fixture. This warranty does not include reimbursement for inconvenience, installation, setup time, returned shipping charges or defects, losses, labor, injuries to personal property.

This warranty gives the consumer specific legal rights, and the consumer may have other rights which vary from state to state. The seller's employees are not qualified to advise on the use of the fixture. Any oral representations made will not be binding on seller or its employees.

For questions regarding this product, call toll-free at 1-800-887-6326.

Patriot Lighting™

140416