

| CONTACT US

 +86-0755-36852966

 www.unitpackpower.com

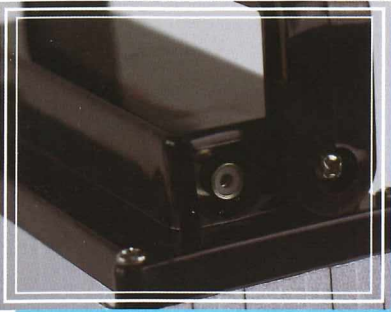
 sales@unitpackpower.com



UNIT PACK POWER
Li ion Battery Manufacturer

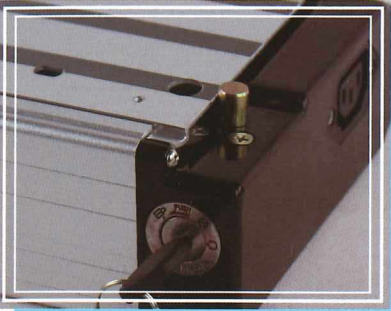
T032 OPERATING MANUAL

Function introduction



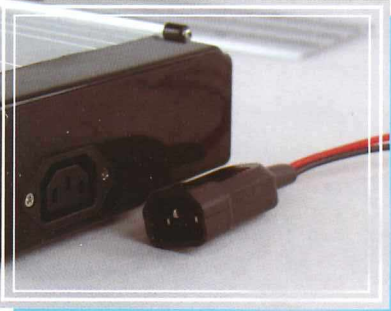
▶ Charge socket

Charge socket use for charger. Charge current can not be more than 5 amps for this socket.



▶ Safe lock

Lock,use to lock the battery on the frame



▶ Discharge socket

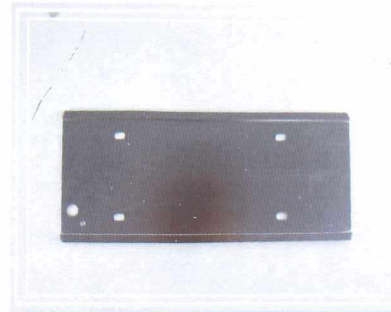
Discharge cable connect to ebike controller power cable

Red for positive +
Black for negative -



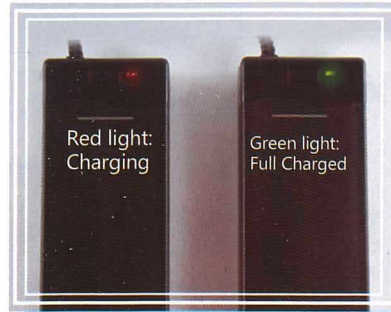
▶ Battery handle

180 degree rotating portable battery handle. This handle is for carrying batteries.



▶ Battery install plate

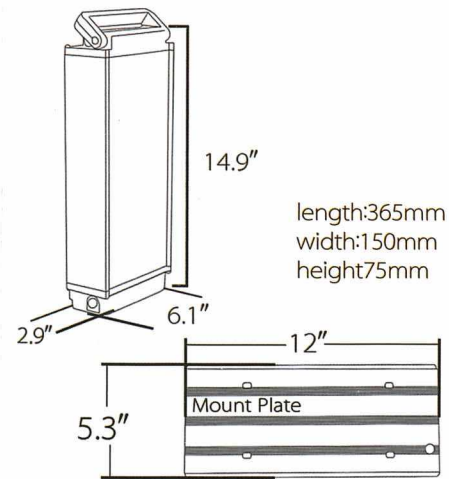
Battery install plate. This plate will be installed on the battery when we ship. You can take it off by the key and install it on the ebike frame by screw. Then put the battery on it. We do not provide the screw because we are not sure which screw size if fit your frame.



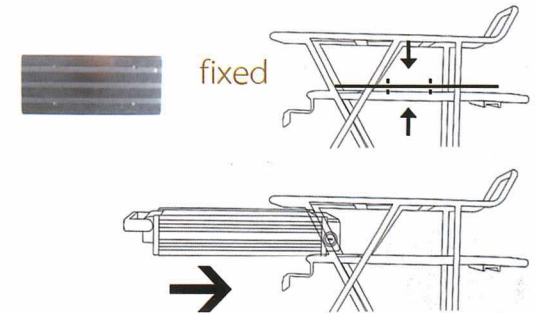
▶ Charger

Charger,plug into electric green light,then plug into battery red light,after full charged change to green.Then finished charge and unplug the charger.

Installation method



Rear hanger



Install, take off the mounting plate from the battery, and use screw install the plate on the ebike, then make the battery slip into the plate and lock it.