

LIMITED WARRANTY

The Little Tikes Company makes fun, high quality toys. We warrant to the original purchaser that this product is free of defects in materials or workmanship for one year * from the date of purchase (dated sales receipt is required for proof of purchase). At the sole election of The Little Tikes Company, the only remedies available under this warranty will be the replacement of the defective part or replacement of the product. This warranty is valid only if the product has been assembled and maintained per the instructions. This warranty does not cover abuse, accident, cosmetic issues such as fading or scratches from normal wear, or any other cause not arising from defects in material and workmanship. *The warranty period is three (3) months for daycare or commercial purchasers. U.S.A and Canada: For warranty service or replacement part information, please visit our website at www.littletikes.com, call 1-800-321-0183 or write to: Consumer Service, The Little Tikes Company, 2180 Barlow Road, Hudson OH 44236, U.S.A. Some replacement parts may be available for purchase after warranty expires—contact us for details. Outside U.S.A and Canada: Contact place of purchase for warranty service. This warranty gives you specific legal rights, and you may also have other rights, which vary from country/state to country/state. Some countries/states do not allow the exclusion or limitation of incidental or consequential damages, so the above limitation or exclusion may not apply to you.

BATTERY SAFETY INFORMATION

- Use only size "AA" (LR6) alkaline batteries (4 required).
- Changing of rechargeable batteries should only be done under adult supervision.
- Remove rechargeable batteries from the product before recharging.
- Do not mix old and new batteries.
- Do not mix alkaline standard (carbon-zinc), or rechargeable batteries.
- Be sure to insert the batteries correctly and follow the toy and battery manufacturer's instruction.
- Always remove exhausted or dead batteries from the product.
- Dispose of dead batteries properly; do not burn or bury them.
- Do not attempt to recharge non-rechargeable batteries.
- Avoid short-circuiting battery terminals.
- Remove batteries before placing the unit into storage for a prolonged period of time.

FCC COMPLIANCE

NOTE: This equipment has been tested and found to comply with the limits for a Class B digital device, pursuant to Part 15 of the FCC Rules. These limits are designed to provide reasonable protection against harmful interference in a residential installation. This equipment generates, uses and can radiate radio frequency energy and, if not installed and used in accordance with the instructions, may cause harmful interference to radio communications. However, there is no guarantee that interference will not occur in a particular installation. If this equipment does cause harmful interference to radio or television reception, which can be determined by turning the equipment off and on, the user is encouraged to try to correct the interference by one or more of the following measures:

- Reorient or relocate the receiving antenna.
- Increase the separation between the equipment and receiver.
- Connect the equipment into an outlet on a circuit different from that to which the receiver is connected.
- Consult the dealer or an experienced radio/TV technician for help.

This device complies with Part 15 of the FCC Rules. Operation is subject to the following two conditions: (1) This device may not cause harmful interference and (2) this device must accept any interference received, including interference that may cause undesired operation. Caution: Modifications not authorized by the manufacturer may void users authority to operate this device. CAN ICES-3 (B)/NMB-3(B).



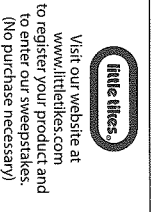
'Let's care for the environment!' The wheeled bin symbol indicates that the product must not be disposed of with other household waste. Please use designated collection points or recycling facilities when disposing of the item. Do not treat old batteries as household waste. Take them to a designated recycling facility.

Please keep this manual as it contains important information.



©The Little Tikes Company,
an MGA Entertainment company.
LITTLE TIKES® is a trademark of Little Tikes
in the U.S. and other countries. All logos,
names, characters, likenesses, images,
slogans, and packaging appearance are the
property of Little Tikes.

MGA Entertainment UK Ltd
50 Presley Way
Crownhill
Milton Keynes
MK8 0ES
Bucks, UK
0800 521 558



Visit our website at
www.littletikes.com
to register your product and
to enter our sweepstakes.
(No purchase necessary)

0418-0-E/INT

Little Tikes Consumer Service
2180 Barlow Road Hudson, Ohio 44236
U.S.A.

www.littletikes.com
www.littletikes.co.uk

1-800-321-0183

Printed in China



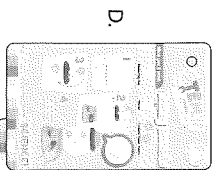
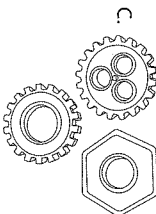
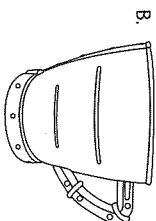
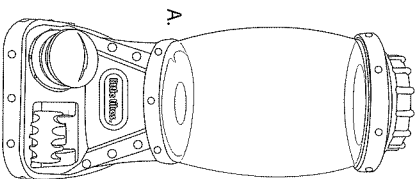
TORNADO TOWER™

SKU: 645778

AGES 3+
ADULT SUPERVISION RE
ADULT BATTERY INSTALLATION RE

CONTENTS

- A. 1 Tornado Tower™ with a 2-Piece Lid
- B. 1 Measuring Cup
- C. 3 Floating Gears
- D. 2 Experiment Cards

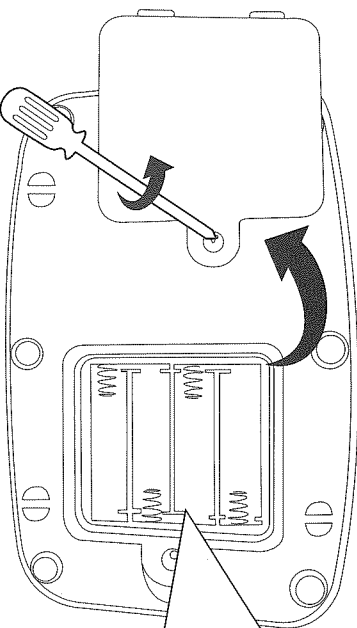


Illustrations are for reference only. Styles may vary from actual contents.

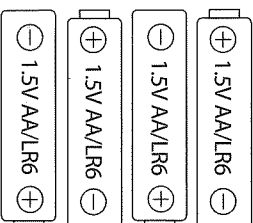
BATTERY INSTALLATION

Before playing, an adult must install fresh alkaline batteries. Here's how:

1. Using a Phillips screwdriver (not included), remove the screw and battery compartment cover located on the tower.
2. Install four (4) fresh 1.5V AA (LR6) alkaline batteries (not included) making sure the (+) and (-) ends face proper direction as indicated inside the battery compartment.
3. Replace the compartment cover and tighten the screw.

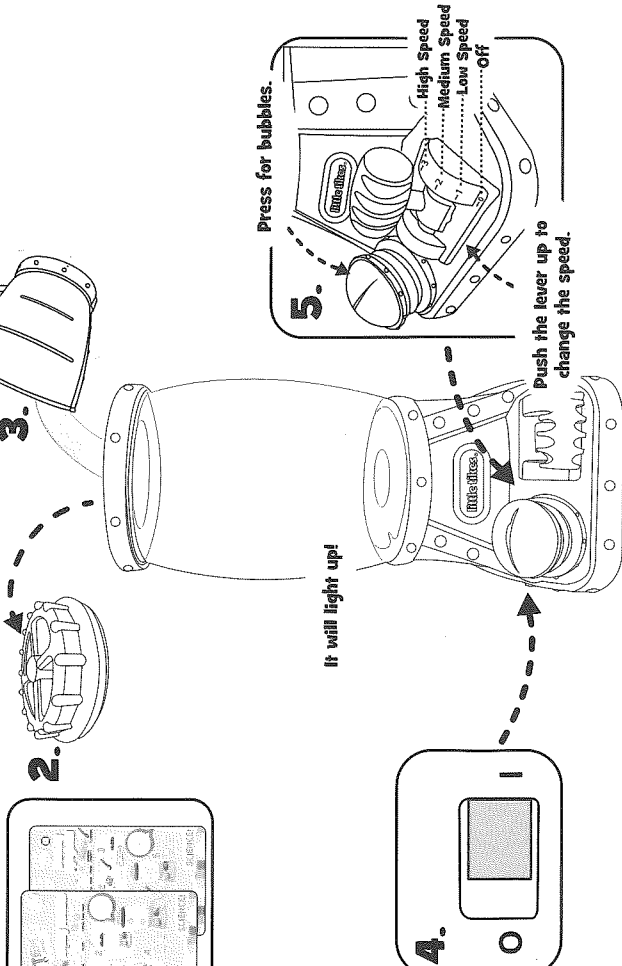


4x AA Batteries



GETTING STARTED

Choose an experiment card and begin to discover!
 Unscrew the top lid of the tower.
 Follow the directions on the experiment card and pour the required ingredients into the tower.
 When ready, tightly replace the lid. Then, move the switch from the OFF (O) position to the ON (I) position.
 Push the lever up to turn on the tornado. Continue to push the lever up to change the speed of the tornado or push the button to blow bubbles.

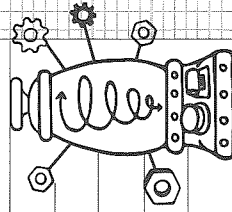


What are your observations?

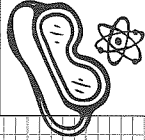
Note your discoveries for each experiment.

EXPERIMENT #1

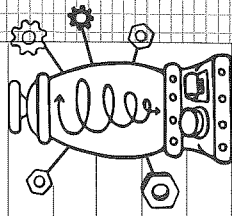
EXPERIMENT #2



EXPERIMENT #3



EXPERIMENT #4



Which experiment is right for your child?

Each experiment is designed to address an element of STEM (Science, Technology, Engineering and Math), while encouraging your child to explore their curiosity and develop their critical thinking skills. The best way to do that is through experimentation. While the first time your child tries an experiment may not be perfect, encourage them to try again and watch as they build a foundation for STEM learning.



To learn more visit www.stem-jr.com

⚠ WARNING

- Always supervise when children are playing around water.
- Do not allow children to play with water near an electrical source or apparatus in order to avoid electric shock and/or electrocution.
- Do not leave the tower wet or filled with water near an electrical source or apparatus.

IMPORTANT INFORMATION

- Keep these instructions for future reference.
- Adult supervision is required. Do not leave children unattended.
- Do not stand on or throw the tower and its pieces into furniture, walls, pets, people etc., as doing so may cause injury to the person and irreparable damage to the units.
- Do not allow long hair or loose apparel, such as hood strings or shoestrings, near the rotor inside the tower.
- If the tower stops working or doesn't work as it should, remove the batteries for a few minutes and then re-insert them. If there is still a problem, install new batteries.
- To clean the tower, unscrew both lids. Then, rinse with water and mild soap, making sure to keep water away from the battery compartment. Do not immerse in water. Allow it to air dry thoroughly before storing.
- Switch from the ON position to the OFF position after playing to conserve battery power.