



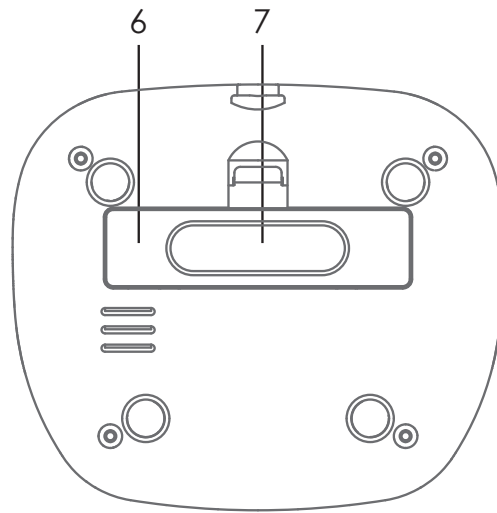
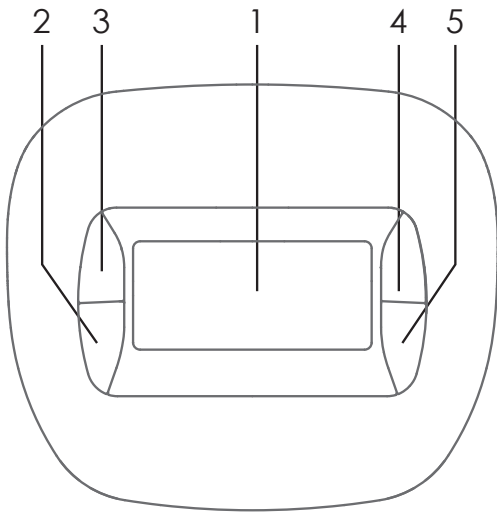
CAPPEC

Kitchen Thermometer

User Manual NS-KTH01

UNIT

1. LCD display
2. Power on/off
3. Alert
4. + (increase target temperature setting)
5. - (decrease target temperature setting)
6. Battery compartment
7. Magnetic mount



GETTING STARTED

1. Open the battery cover and insert 1xAAA 1.5V battery according to the polarities indicated.
2. Return the battery cover. The thermometer is now operational.

Using the Thermometer

1. Hold the "POWER ON/OFF" button for more than 3 seconds to power on/off the thermometer.
2. Press the "ALERT" button to start the temperature alert function, and the alert signal displays on the LCD.
3. Press the "UP" or "DOWN" button to adjust the temperature setting. Hold the "UP" or "DOWN" button to adjust the setting by 14.5 °F(8°C) / second.
4. Setting range is from 32 - 393°F / 0-200°C. When the cooking temperature is has reached the alert temperature, the buzzer begins to alert with a sound, and the alert signal flashes. Press any button to stop the alert.
5. The buzzer won't alert when the cooking temperature is below the alert temperature. To shut off the alert setting, press the "ALERT" button.
6. Press the "ALERT" button again to cancel the alert function.
7. Find your desired target temperatures in the chart included in this manual.

Technical specification

- Temperature display format: °F / °C
- Temperature alert function: Yes
- 3-digit display for temperature alert, setting range: 32 - 393°F / 0-200°C
- 3-digit display for cooking temperature, testing range: 32 - 393°F / 0-200°C
- Keypad tone: Yes
- Battery: 1 x AAA 1.5 V
- Voltage: 1.3 – 1.6 V
- Electricity current: <20 µA
- Temperature range 32 - 393°F / 0-200°C
- Temperature testing period: 5 seconds
- Thermal tolerance: +/-1.8 °F(1°C)
- Probe cable temperature resistance: 715°F / 379°C (do not expose directly to flames)

Cooking Temperatures

BEEF STEAKS

Rare
MediumRare
Medium
Medium-Well

GOURMET °F / °C

125-130°F / 52-54°C
130-140°F / 54-60°C
140-150°F / 60-66°C
155-165°F / 68-74°C

USDA °F / °C

140°F / 60°C
150°F / 66°C
160°F / 71°C
170°F / 76°C

BEEF ROASTS

Rare
Medium-Rare
Medium
Medium-Well

GOURMET

125-130°F / 52-54°C
130-140°F / 54-60°C
140-150°F / 60-66°C
155-165°F / 68-74°C

USDA

140°F / 60°C
150°F / 66°C
160°F / 71°C
170°F / 76°C

RACK of LAMB

Rare
Medium-Rare
Medium
Medium-Well

GOURMET

125-130°F / 52-54°C
130-140°F / 54-60°C
140-150°F / 60-65°C
155-165°F / 68-74°C

USDA

140°F / 60°C
150°F / 66°C
160°F / 71°C
170°F / 76°C

LAMB CHOPS

Rare
Medium-Rare
Medium
Medium-Well

GOURMET

125-130°F / 52-54°C
130-140°F / 54-60°C
140-150°F / 60-65°C
155-165°F / 68-74°C

USDA

140°F / 60°C
150°F / 66°C
160°F / 71°C
170°F / 76°C

PORK CHOPS

Rare
Medium-Rare
Medium
Medium-Well
Well Done

GOURMET

N/A
N/A
N/A
155-165°F / 68-74°C
175-185°F / 79-85°C

USDA

170°F / 76°C
170°F / 76°C

VEAL RACKS	GOURMET	USDA
Rare	N/A	
Medium-Rare	130-140°F / 54-60°C	
Medium	140-150°F / 60-65°C	150°F / 65°C
Medium-Well	155-165°F / 68-74°C	160°F / 71°C

VEAL CHOPS	GOURMET	USDA
Rare	N/A	
Medium-Rare	130-140°F / 54-60°C	
Medium	140-150°F / 60-65°C	
Medium-Well	155-165°F / 68-74°C	

WHOLE CHICKEN **GOURMET** 165-175°F / 74-79°C **USDA** 180°F / 82°C

WHOLE TURKEY **GOURMET** 165-175°F / 74-79°C **USDA** 180°F / 82°C

BURGERS **GOURMET** 160°F / 71°C **USDA** 160°F / 71°C or higher

ROLLED ROASTS A temperature of 160° F / 71°C is recommended when a roast of any type has been rolled, as surface bacteria may have been rolled into the center of the roast.

FISH Fish is done when the meat flakes easily with a fork and appears opaque all the way through. Unsure by appearance, a temperature of 155° F / 68°C is recommended.

SHRIMP AND LOBSTER TAILS Flesh is fully cooked when it turns opaque and firm. Use caution to avoid overcooking shrimp or lobster.

Attention



This product is marked with this symbol. It means that used electrical and electronic products should not be mixed with general household waste. There is a separate collections system for these products.



This product has been manufactured and supplied in compliance with all relevant regulations and directives, valid for all member states of the European Union. It also complies with all applicable specifications and regulations in the country of sales.

Formal documentation is available upon request. This includes, but is not limited to: Declaration of Conformity (and product identity), Material Safety Data Sheet and product test report.

FCC Notice (U.S. only)

This device complies with Part 15 of the FCC Rules. Operation is subject to the following two conditions: (1) This device may not cause harmful interference, and (2) This device must accept any interference received, including interference that may cause undesired operation.

Warning:

Changes or modifications to this unit not expressly approved by the party responsible for compliance could void the user's authority to operate the equipment. NOTE: This equipment has been tested and found to comply with the limits for a Class B digital device, pursuant to Part 15 of the FCC Rules. These limits are designed to provide reasonable protection against harmful interference in a residential installation. This equipment generates, uses and can radiate radio frequency energy and, if not installed and used in accordance with the instructions, may cause harmful interference to radio communications. However, there is no guarantee that interference will not occur in a particular installation. If this equipment does cause harmful interference to radio or television reception, which can be determined by turning the equipment off and on, the user is encouraged to try to correct the interference by one or more of the following measures:

- Reorient or relocate the receiving antenna.
- Increase the separation between the equipment and receiver.
- Connect the equipment into an outlet on a circuit different from that to which the receiver is connected.
- Consult the dealer or an experienced radio/TV technician for help.

NOTE:

This unit was tested with shielded cables on the peripheral devices. Shielded cables must be used with the unit to insure compliance.

NOTE:

The manufacturer is not responsible for any radio or TV interference caused by unauthorized modifications to this equipment. Such modifications could void the user's authority to operate the equipment.

Disclaimer of Warranties

Except as specifically provided herein, Cappec makes no warranty of any kind, express or implied, with respect to this product.

Limited Warranty (EU and Switzerland)

Notwithstanding the disclaimer of warranties above, this product, excluding batteries and liquid crystal display (LCD), is guaranteed by Cappec to be free of defects in materials or workmanship for a period of one year from the date of purchase. It will be repaired or replaced with an equivalent product (at Cappec's option) free of charge for any defect in workmanship or materials during that time.

This warranty explicitly excludes defects due to misuse, accidental damage, or wear and tear. This warranty does not affect the consumer's statutory rights.

Limited Warranty (outside U.S., EU and Switzerland)

Notwithstanding the disclaimer of warranties above, this product, excluding batteries and liquid crystal display (LCD), is guaranteed by Cappec to be free of defects in materials or workmanship for a period of one year from the date of purchase. It will be repaired or replaced with an equivalent product (at Cappec's option) free of charge for any defect in workmanship or materials during that time.

Products purchased outside the United States, the European Union and Switzerland that are returned under warranty should be returned to the original vendor with proof of purchase and description of fault. Charges will be made for all repairs unless valid proof of purchase is provided.

This warranty explicitly excludes defects due to misuse, accidental damage, or wear and tear. This warranty does not affect the consumer's statutory rights.

Limited Warranty (U.S. only)

LIMITED WARRANTY, DISCLAIMER OF WARRANTIES, AND LIMITED REMEDY

CAPPEC WARRANTS TO THE ORIGINAL PURCHASER THAT THIS PRODUCT WILL BE FREE FROM DEFECTS IN MATERIALS AND WORKMANSHIP FOR A PERIOD OF ONE (1) YEAR FROM THE ORIGINAL DATE OF PURCHASE AS EVIDENCED BY A COPY OF THE SALES RECEIPT. THIS LIMITED WARRANTY DOES NOT COVER DAMAGE DUE TO ACTS OF GOD, ACCIDENT, MISUSE, ABUSE, NEGLIGENCE, MODIFICATION, UNSUITABLE ENVIRONMENT, OR IMPROPER MAINTENANCE. THE SOLE OBLIGATION AND LIABILITY OF CAPPEC, AND THE EXCLUSIVE REMEDY UNDER THIS LIMITED WARRANTY, IS REPAIR OR REPLACEMENT AT THE SOLE OPTION OF CAPPEC AND THIS REMEDY APPLIES ONLY IN THE CASE IN WHICH CAPPEC DETERMINES THAT THE PRODUCT WAS DEFECTIVE AND THAT THE DEFECT AROSE WITHIN THE DURATION OF THE LIMITED WARRANTY.

THIS REMEDY IS THE EXCLUSIVE REMEDY FOR BREACH OF THIS WARRANTY. THIS WARRANTY GIVES YOU CERTAIN RIGHTS; YOU MAY ALSO HAVE OTHER RIGHTS THAT MAY VARY FROM JURISDICTION TO JURISDICTION.

EXCEPT FOR THE LIMITED WARRANTY EXPRESSLY RECITED ABOVE, THIS CAPPEC PRODUCT IS PROVIDED ON AN "AS IS" BASIS, WITHOUT ANY OTHER WARRANTIES, EXPRESS OR IMPLIED, INCLUDING, BUT NOT LIMITED TO, WARRANTIES OF MERCHANTABILITY, MERCHANTABILITY, OR FITNESS FOR A PARTICULAR PURPOSE, OR THOSE ARISING BY LAW, STATUTE, USAGE OF TRADE, OR COURSE OF DEALING. THIS WARRANTY APPLIES ONLY TO PRODUCTS MANUFACTURED BY OR FOR CAPPEC AND SPECIFICALLY DOES NOT INCLUDE BATTERIES, CORROSION OF BATTERY CONTACTS OR ANY OTHER DAMAGE CAUSED BY BATTERIES. CAPPEC SHALL NOT HAVE ANY LIABILITY TO THE PURCHASER OR ANY OTHER PERSON OR ENTITY FOR ANY INDIRECT, INCIDENTAL, SPECIAL, OR CONSEQUENTIAL DAMAGES WHATSOEVER, INCLUDING, BUT NOT LIMITED TO, LOSS OF REVENUE OR PROFIT, LOST OR CORRUPTED DATA, OR OTHER COMMERCIAL OR ECONOMIC LOSS, EVEN IF CAPPEC HAS BEEN ADVISED OF THE POSSIBILITY OF SUCH DAMAGES, OR EVEN IF OTHERWISE FORESEEABLE. CAPPEC IS NOT RESPONSIBLE FOR CLAIMS BY A THIRD PARTY. CAPPEC'S MAXIMUM AGGREGATE LIABILITY SHALL NOT EXCEED THE AMOUNT PAID FOR THE PRODUCT AS EVIDENCED BY THE SALES RECEIPT. SOME STATES/JURISDICTIONS DO NOT ALLOW THE EXCLUSION OR LIMITATION OF LIABILITY FOR CONSEQUENTIAL OR INCIDENTAL DAMAGES, SO THE ABOVE LIMITATION MAY NOT APPLY TO YOU. IF THE LAWS OF THE RELEVANT JURISDICTION DO NOT PERMIT FULL WAIVER OF IMPLIED WARRANTIES, THEN THE DURATION OF IMPLIED WARRANTIES AND CONDITIONS ARE LIMITED TO THE DURATION OF THE EXPRESS WARRANTY GRANTED HEREIN.

Warranty Service: If you think your product is defective, please contact Cappec's customer service: support@cappec.com

FC **C** **€** **RoHS** **FDA**   
APPROVED MATERIALS

www.cappec.com support@cappec.com