

Operating Instructions

BIRKO Kitchen Mixer

Model: 1005004

7 Litre

KITCHEN MIXER



CE

Operating Instructions

BIRKO Kitchen Mixer

Model: 1005004

7 Litre

Contents

Read these instructions first.....	3
Installation.....	3
Safety.....	3
Operation.....	3
Selecting the correct mixing arm.....	3
Assembly of the mixing arms.....	4
Mixing arm adjustment.....	5
Fitting the mixing bowl.....	5
Speed control.....	6
Starting.....	6
Cleaning and Maintenance.....	7
Specifications.....	7
Parts list.....	8
Exploded diagram.....	9
Wiring diagram.....	10
Troubleshooting.....	11
End of life disposal.....	11
Contact Details.....	12

Operating Instructions

BIRKO Kitchen Mixer

Model: 1005004

7 Litre

Read these instructions first

The Birko Kitchen mixer is suitable for mixing a variety of foods and because of the robust construction, is ideal for use in most commercial applications i.e. Cafe's and Restaurants.

INSTALLATION:

- The Mixers must be connected to a standard 220-240V 10 amp general purpose outlet.
- Ensure the Mixer is placed on a secure, horizontal working surface
- The recommended height of the secure horizontal working surface should be between 650 - 750mm, with spaces of 150mm front and back and with 300mm clearance on both sides.

SAFETY:

- The mixers are designed for indoor use only and must not be located in an area that may be cleaned by a water jet.
- This appliance is not intended for use by persons (Including Children) with reduced physical, sensory or mental capabilities,
or lack of experience and knowledge, unless they have been given supervision or instruction concerning use of the appliance
by a person responsible for their safety.
- Children should be supervised to ensure they do not play with the appliance.
- If the power cord and plug is damaged it must be replaced by Birko or a qualified technician.
- When changing the mixing tools or when removing any parts, ensure the power is turned off.
- Do not operate the appliance with wet hands.
- After cleaning the mixer ensure it has been dried before use.
- Keep hands and fingers away from all moving parts.

Operation

- Do not operate the mixer without the safety guards in place

SELECTING THE CORRECT MIXING ARM:

It is important to select the correct mixing arm to match the type of food being mixed. The selection of the wrong arm may cause damage to the mixer.

-The Hook shaped mixing arm (Item 39)* should be used for mixing large, weighty and doughy substances, eg. in the preparation of breads and baking pasteries. This arm should be used only with a low speed setting

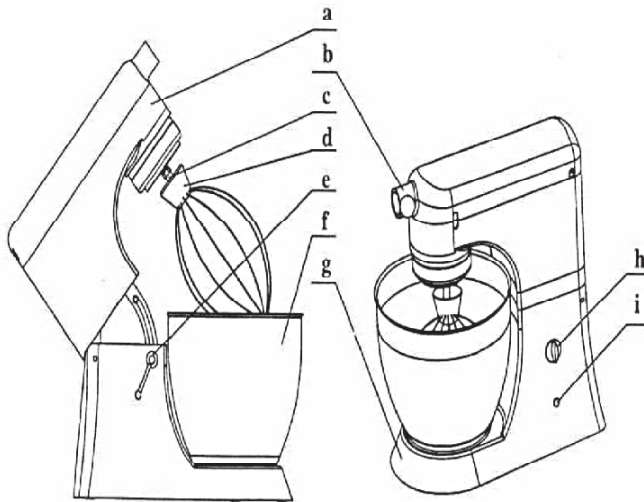
-The paddle shaped mixing arm (Item 40)* is used for mixing bulky items that are not as heavy or sticky as dough, eg. fruit mince, cake mix, meat dumplings and stuffing. This arm may be used with a low to medium

* Ref: Page 8 & 9

Operating Instructions

BIRKO Kitchen Mixer
7 Litre

Model: 1005004



a) Mixer head	d) Agitator	g) Base
b) Interception (select models)	e) Handle	h) Speed Control
c) Mixing Axle	f) Mixing Bowl	i) Switch

ASSEMBLING THE MIXING ARMS (HOOK; PADDLE AND WHISK)

- Turn off the machine at switch (i) and disconnect the Mixer from the power supply.
- Rotate the handle (e) clockwise to release the locking mechanism . This will allow the mixing head (a) to rise automatically and will expose the mixing arms.
- When the mixing head has been raised (aprox 45 deg.) release the handle (e) and secure it in the vertical position.
- Insert the keyed shaft of the mixing arm (d) into the mating end of the mixing axle (c). Rotate the mixing arm to the left until the keyed shaft is fully home and secure.
- Rotate the handle (e) anti-clockwise to the horizontal position to allow the mixing head to move down. Push the mixing head down until it locks into position.
- When locked the handle will move to the vertical position. Do not operate the mixer unless the handle is in the, locked, vertical position.
- To remove the mixing arm, reverse the above procedure.

Operating Instructions

BIRKO Kitchen Mixer

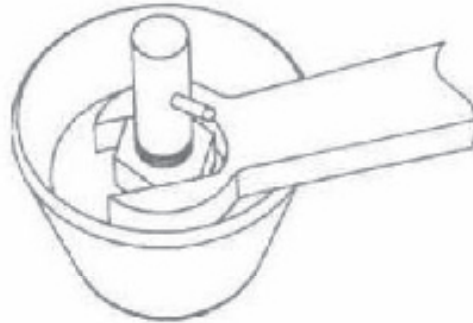
Model: 1005004

7 Litre

MIXING ARM ADJUSTMENT:

The height of the mixing arm may be adjusted to change the clearance between the arm and the base of the mixing bowl.

- Turn off the machine at switch (i) and disconnect the Mixer from the power supply.
- Use a suitable spanner to release the nut on the end of the mixing arm shaft.
- The shaft can now be rotated to adjust the installed height of the mixing arm. Rotate the shaft clockwise to increase the bowl clearance and anti clockwise to decrease the bowl clearance.
- Once the correct clearance has been achieved, securely tighten the nut and fit the mixing arm as described on page 4.



FITTING THE MIXING BOWL:

The mixing bowl must be securely fixed to the base of the machine in order for the mixer to operate correctly.

- Turn off the machine at switch (i) and disconnect the Mixer from the power supply.
- Rotate the handle (e) clockwise to release the locking mechanism . This will allow the mixing head (a) to rise automatically and will expose the mixing arms.
- When the mixing head has been raised (aprox 45 deg.) release the handle (e) and secure it in the vertical position.
- While holding the bowl (f) with both hands, fit it to the base of the mixer (g) .
- Rotate the bowl clockwise until it is firmly secured in place.
- Rotate the handle (e) anti-clockwise to the horizontal position to allow the mixing head to move down. Push the mixing head down until it locks into position.
- When locked, the handle will move to the vertical position. Do not operate the mixer unless the handle is

Operating Instructions

BIRKO Kitchen Mixer

Model: 1005004

7 Litre

SPEED CONTROL:

The kitchen mixer is fitted with an infinitely variable speed control switch (h) located on the side of the mixer. The speed of mixing will be determined by the type of mixing arm fitted and the consistency of the food being mixed. It may be necessary to change the speed during the course of mixing, if the properties of the food being mixed changes. eg. when a liquid begins to thicken the speed must be reduced.

WARNING:

When mixing ingredients, it is important to start with a slow speed and gradually increase the speed until the desired mixing rate is achieved. It is important not to overburden the mixer by using an inappropriate speed, which is too high for the foodstuffs being mixed. Failure to follow this procedure will damage the mixer.

STARTING:

- Ensure the mixing head is secured in the lowered position and the handle (e) is in the vertical position.
- Check that all components are correctly fixed to the mixer and that all safety guards are in place.
- Set the speed control to the zero 'o' position (ref 3-1)
- Turn on the power switch (i).
- As you rotate the speed switch in a clockwise direction the mixing speed will increase.
- For low speed mixing and when using the Hook arm the switch should be set at the near vertical position (ref 3-2)
- For medium speed mixing and when using the Paddle arm the switch should be rotated to aprox 45 deg. (ref 3-3).
- For high speed mixing and when using the Whisk arm the switch should be rotated to the horizontal position, or higher (ref 3-4)



Operating Instructions

BIRKO Kitchen Mixer

Model: 1005004

7 Litre

Cleaning and Maintenance

CLEANING;

It is most important to maintain a proper cleaning and hygiene routine with this food mixer. In order to avoid the cross contamination of different foodstuffs it is important to clean the mixing arms and mixing bowl after each use.

- Do not use strong cleaning agents that may leave a taste in the bowl and on the mixing arms.
- Thoroughly rinse and dry the Mixing arms and bowl after washing.
- Clean the mixer's external surfaces with a mixture of mild soap and warm water.
- Clean up all food spills.
- The mixer must not be cleaned with a water jet.
- Do not leave food in the mixer for long periods of time.

MAINTENANCE:

- From time to time it may be necessary to adjust the clearance between the mixing arms and the mixing bowl, see page 5 for instructions.
- As a safety measure the drive belt is designed to slip under heavy loads and offers protection to the motor if the mixing arms become jammed. The belt is a consumable item and may need to be replaced, it is recommended to have a spare on hand.
- Service, by a Birko authorised agent, should be performed at least once a year.

Specifications

Model	1005004
Capacity	7 Litres
Mixing Speed	40-260rpm
Rotation	147-917rpm
Voltage	220 - 240V
Frequency	50Hz
Power	355W
Current	2.5A
Max Weight (eggs)	500g
Max Weight (Dough)	1200g (Dry flour)
Weight	22kg

Operating Instructions

BIRKO Kitchen Mixer

Model: 1005004

7 Litre

Parts list

	Part No.	Description	Item	Part No.	Description
1		Root Plane	29	1315225	Adjusting Screw
2		Contain Oil Bearing	30		Electric Cable Plug
3		Middle Axle	31		Electric Wire
4		Large Gear	32	1315226	Speed Adjusting Button
5		Bearing	33	1315227	Solenoid Switch
6	1315221	Seal	34	1315228	Circuit Plate
7		Center Axle	35		Electronic Box
8		Planet Gear	36		Base Plate
9		Inner Gear	37		Rubber Mat
10	1315222	Bearing	38		Mixing Bowl
11		Middle Axle	39		Hook Shape Mixing Agitator
12		Large Belt Wheel	40		Paddle Shape Mixing Agitator
13		Nut	41	1315229	Whisk Shape Mixing Agitator
14	1315223	Belt	42		Pin
15		Top Cover	43	1315230	Connecting Axle
16		Small Belt Wheel	44		Main Axle Cover
17	1315224	Motor	45	1315231	Seal
18		Axle Of Belt Wheel	46		Adorning Cover
19		Transfer Gear	47	1315232	Cushion
20		Driving Gear	48	1315233	Spring Cushion
21		Body	49	1315234	Nut
22		Name Plate	50		Orientation Pin
23		Axle Pin	51		Protection net
24		Handle	52		Speed control switch assembly
25		Support Pin	53		Micro Switch
26		Overtum Seat	54		Tape
27		Supper Plane	55		Brushes
28		Base Plane	56		Micro Switch II

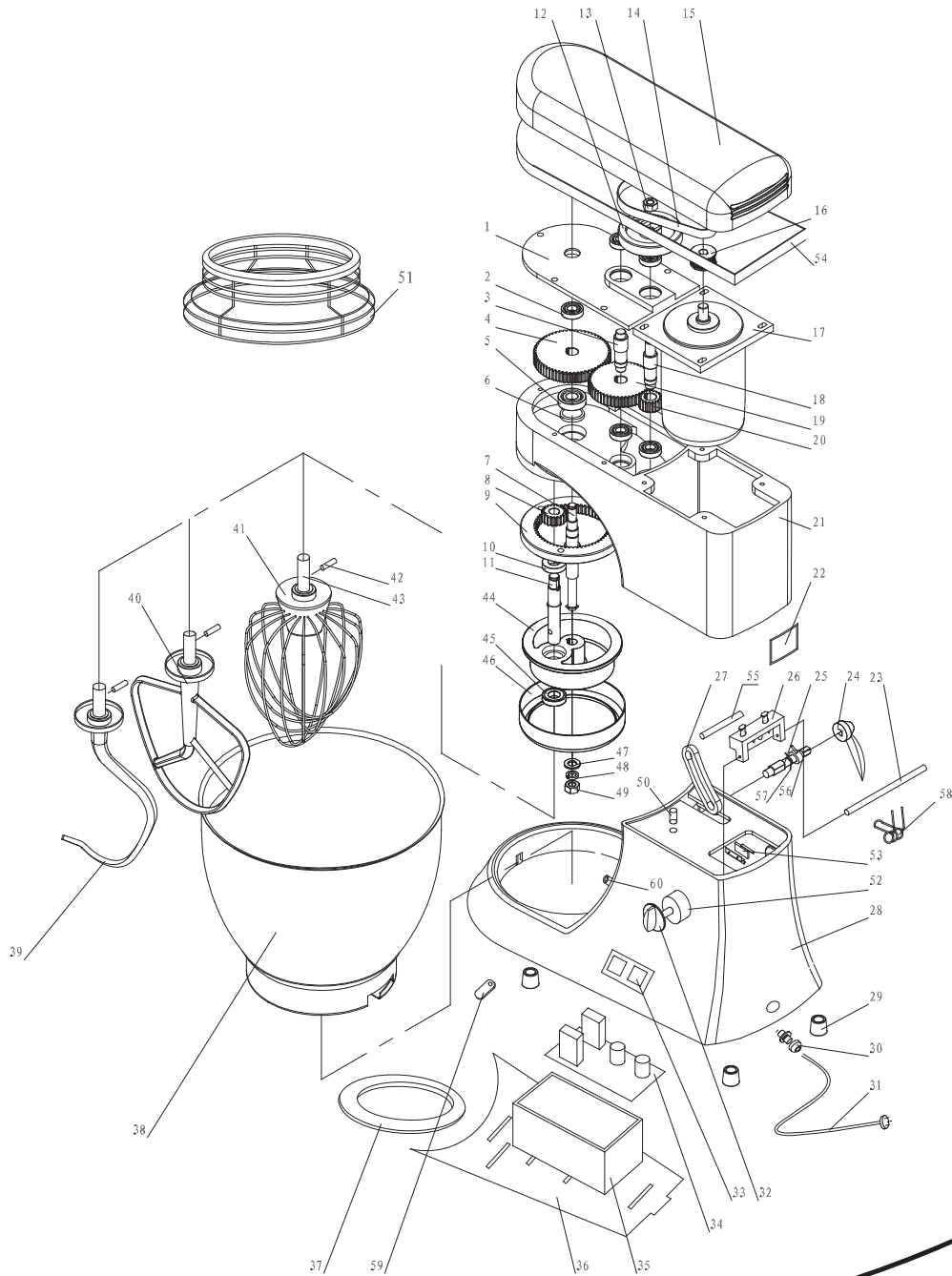
Operating Instructions

BIRKO Kitchen Mixer

Model: 1005004

7 Litre

Exploded diagram



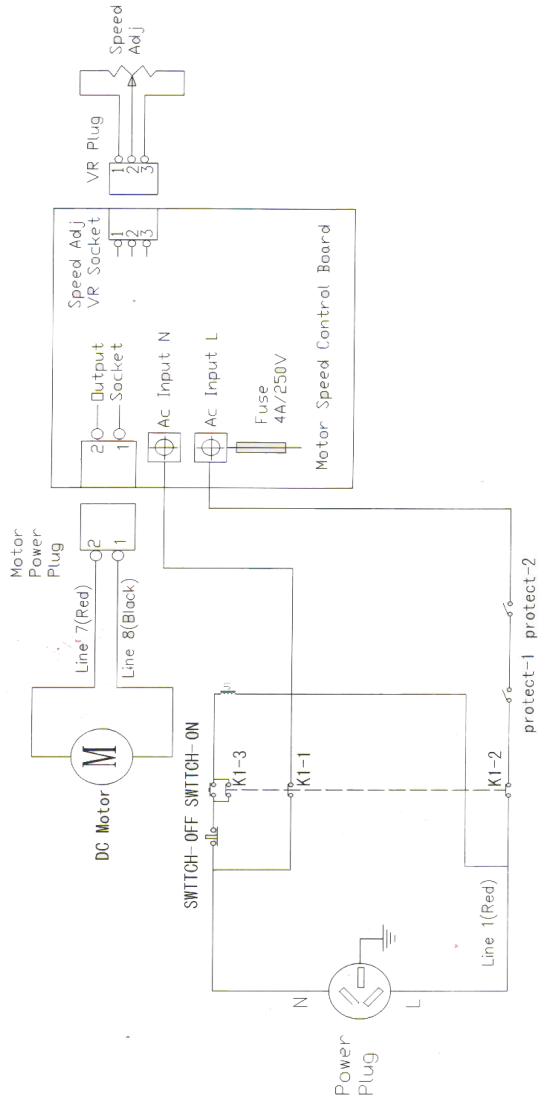
Operating Instructions

BIRKO Kitchen Mixer

Model: 1005004

7 Litre

Wiring diagram



Operating Instructions

BIRKO Kitchen Mixer

Model: 1005004

7 Litre

Troubleshooting

ISSUE	CAUSE	SOLUTION
Not working	No Power	Check Power supply
	Speed selector in wrong position	Select the Zero 'o' position
Mixer too hot and speed decreasing	Incorrect voltage	Check Voltage supply
	Mixing load too large	Reduce the mixture quantity
	Wrong mixing arm	Fit the correct mixing arm
	Worn drive belt	replace the drive belt
Mixer stops while working	Mixing load too large	Reduce the mixture quantity
	Incorrect voltage	Check voltage supply
	Main fuse has blown	Replace fuse. If problem persists call Birko for service
	Mixing time too long	Shorten mixing time. Wait a few minutes before re-starting
Speed switch is out of alignment	Control knob is loose	Tighten the control knob locking screw
	Control Knob is broken	Call Birko for service
Mixing arms touch the bowl	Height of the arms is incorrect	Adjust the arm height (see p5)

End of life disposal

In order to help preserve our environment we ask that you dispose of this product correctly. Please contact your local city council for collection centre details

Operating Instructions

BIRKO Kitchen Mixer

Model: 1005004

7 Litre

Contact Details

As Birko policy is one of continuous product improvement, changes to specifications may be made without prior notice. Images in this booklet have been modified and may not be true representations of the finished goods

Birko Heaters Australia Pty Ltd.,
ABN 39 103 881 625
67 Allingham St, Condell Park, N.S.W. 2200, AUSTRALIA.
International Ph: +61 2 9796 3100
International Fax: +61 2 9796 3858
Local Ph: 1300 724 955, Local Fax: 1300 735 259
sales@birkoheaters.com, www.birkoheaters.com
The term 'Birko' is a registered trade mark of Birko Heaters Australia Pty Ltd.

Zenith Heaters Limited,
IRD No. 95 640 729
Unit 2/15 Moselle Avenue,
Henderson.
Auckland. 0610
NEW ZEALAND.
Telephone: 0800 558055
Facsimile: 0800 559055

www.zenithheaters.co.nz

