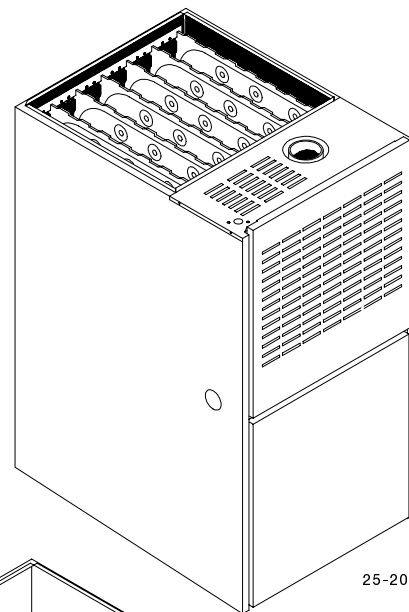


Technical Support Manual

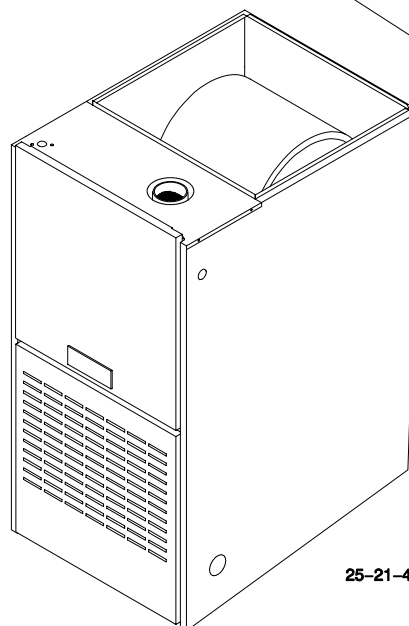
FAN ASSISTED COMBUSTION GAS FURNACES

Models

NTC6050FBA1	GNE050B12A1
NTC6075FBA1	GNE075B12A1
NTC6075HFA1	GNE075F16A1
NTC6100GFA1	GNE100F14A1
NTC6100KFA1	GNE100F20A1
NTC6100KJA1	GNE100J20A1
NTC6125KJA1	GNE125J20A1
NTC6150KJA1	GNE150J20A1
NTC6075FBA2	GNE075B12A2
NTC6075HFA2	GNE075F16A2
NTC6125KJA2	GNE125J20A2
NTN6050FBA1	NNE050B12A1
NTN6075FBA1	NNE075B12A1
NTN6075HFA1	NNE075F16A1
NTN6100KFA1	NNE100F20A1
NTN6100KJA1	NNE100J20A1
NTN6125KJA1	NNE125J20A1
NTN6075FBA2	NNE075B12A2
NTN6075HFA2	NNE075F16A2
NTN6125KJA2	NNE125J20A2
NDN6050FBA2	GDE050B12A2
NDN6075FBA2	GDE075B12A2
NDN6075HFA2	GDE075F16A2
NDN6100GFA2	GDE100F14A2
NDN6100KFA2	GDE100F20A2
NDN6125KJA2	GDE125J20A2
NDN6075FBA3	GDE075B12A3
NDN6075HFA3	GDE075F16A3
NDN6125KJA3	GDE125J20A3



25-20-24



25-21-47



Manufactured by:

International Comfort Products Corporation (USA)
Lewisburg, TN USA 37091

Save This Manual For Future Reference

Manufacturers Number (Mfr No -See Rating Plate) ALL Models		
Specifications		
General		
Gas Type	Nat	LP
Transformer Size (VA)	40	40
T'stat Heat Anticipator	.30	.30
Gas & Ignition		
Gas Valve	HW SV 9501	HW SV 9501
Regulation Type	SNAP	SNAP
Manifold Press. (Inch's WC)	3.5	10.0
Pilot Orifice Size	.018	.011
Ignition Type/Series	HW HSP	HW HSP
Lock-Out Time	NA	NA
Combustion		
Flue Outlet Size (Inches)	3	3
Std. Outlet Temp (°F)	<480	<480
Limits & Controls		
Fan Control (Type)	HW ST9120	HW ST9120
Fan Control On	30/60	30/60
(Timed-secs) Off	60,100,140,180	60,100,140,180
Gas Conversion Kits		
Nat to LP	NAHF002LP *1009509 or NAHL002LP *1160991	
LP to Nat	*1009510	
LP High Altitude	*1160992	
Nat High Altitude	*1160993	
*Must be ordered from Service Parts		

Specifications														
	NTC6050FB/ GNE050B12 NTN6050FB/ NNE050B12		NTC6075FB/ GNE075B12 NTN6075FB/ NNE075B12		NTC6075HF/ GNE075F16 NTN6075HF/ NNE075F16		NTC6100GF/ GNE100F14		NTC6100KF/ GNE100F20 NTN6100KF/ NNE100F20		NTC6100KJ/ GNE100J20 NTN6100KJ/ NNE100J20		NTC6125KJ/ GNE125J20 NTN6125KJ/ NNE125J20	
General														
Input (Btuh)	50,000		75,000		75,000		100,000		100,000		100,000		125,000	
Output (Btuh)	40,000		59,000		59,000		79,000		79,000		79,000		99,000	
Temp. Rise (°F)	35-65		35-65		25-55		45-75		35-65		35-65		40-70	
Electrical (Volts/Hz/FLA)	115/60/5.3		115/60/5.3		115/60/12.0		115/60/7.5		115/60/12.0		115/60/12.0		115/60/12.0	
Gas & Ignition														
Gas Type	Nat	LP	Nat	LP	Nat	LP	Nat	LP	Nat	LP	Nat	LP	Nat	LP
Std. Main Orifices (No/Size)	2/#42	2/#54	3/#42	3/#54	3/#42	3/#54	4/#42	4/#54	4/#42	4/#54	4/#42	4/#54	5/#42	5/#54
Limits & Controls														
Thermal Sensor (°F)	300		300		300		300		300		300		300	
Limit Control Setting (°F)	See Parts List		See Parts List		See Parts List		See Parts List		See Parts List		See Parts List		See Parts List	
Auxiliary Limit (°F)	130		130		130		130		130		130		130	
Std. Pressure Sw. (Part No)														
Press (Close)	1010897 -0.50		1010897 -0.50		1010897 -0.50		1010896 -0.60		1010896 -0.60		1010896 -0.60		1010898 -0.75	
Press (Open)	-0.40		-0.40		-0.40		-0.50		-0.50		-0.50		-0.65	
Blower Data														
Type & Size	10-8		10-8		10-10		10-10		11-10		11-10		11-10	
Motor Amps/Rpm	6.5/1050		6.5/1050		10.3/1100		8.0/1050		10.6/1100		11.9/900		11.9/900	
Motor Type/H.p.	PSC/1/3		PSC/1/3		PSC/1/2		PSC/1/2		PSC/3/4		PSC/3/4		PSC/3/4	
Cap. Mfd/Volts	5/370		5/370		10/370		7.5/370		10/370		10/370		10/370	
Filter Type	Washable		Washable		Washable		Washable		Washable		Washable		Washable	
Filter Size (")	14x25x1		14x25x1		16x25x1		16x25x1		16x25x1		16x25x1		16x25x1 (2)	
Min. Cool Cap. (Tons)	1.5		1.5		3		1.5		3		3		3	
Max. Cool Cap. (Tons)	3		3		4		3.5		4.5		5		5	

Specifications															
	NTC6150KJ/ GNE150J20		NDN6050FB/ GDE050B12		NDN6075FB/ GDE075B12		NDN6075HF/ GDE075F16		NDN6100GF/ GDE100F14		NDN6100KF/ GDE100F20		NDN6125KJ/ GDE125J20		
General															
Input (Btuh)	150,000		50,000		75,000		75,000		100,000		100,000		125,000		
Output (Btuh)	120,000		40,000		61,000		61,000		81,000		81,000		102,000		
Temp. Rise (°F)	45-75		30-60		40-70		40-70		40-70		40-70		45-75		
Electrical (Volts/Hz/FLA)	115/60/12.0		115/60/5.3		115/60/5.3		115/60/12.0		115/60/7.5		115/60/12.0		115/60/12.0		
Gas & Ignition															
Gas Type	Nat	LP	Nat	LP	Nat	LP	Nat	LP	Nat	LP	Nat	LP	Nat	LP	
Std. Main Orifices (No/Size)	6#42	6/#54	2/#42	2/#54	3/#42	3/#54	3/#42	3/#54	4/#42	4/#54	4/#42	4/#54	5/#42	5/#54	
Limits & Controls															
Thermal Sensor (°F)	300		300		300		300		300		300		300		
Limit Control Setting (°F)	See Parts List		See Parts List		See Parts List		See Parts List		See Parts List		See Parts List		See Parts List		
Auxiliary Limit (°F)	130		110		110		110		110		110		110		
Std. Pressure Sw. (Part No)	1010898		1010897		1010896		1010896		1010898		1010898		1010898		
Press (Close)	-0.75		-0.50		-0.60		-0.60		-0.75		-0.75		-0.75		
Press (Open)	-0.65		-0.40		-0.50		-0.50		-0.65		-0.65		-0.65		
Blower Data															
Type & Size	12-12		10-8		10-8		11-10		11-10		11-10		11-10		
Motor Amps/Rpm	11.9/900		6.5/1050		6.5/1050		10.3/1100		8/1050		10.3/1100		11.9/900		
Motor Type/H.p.	PSC ^β / ₄		PSC ^l / ₃		PSC ^l / ₃		PSC ^l / ₃		PSC ^l / ₂		PSC ^l / ₂		PSC ^β / ₄		
Cap. Mfd/Volts	10/370		5/370		5/370		5/370		5/370		5/370		5/370		
Filter Type	Washable		Washable		Washable		Washable		Washable		Washable		Washable		
Filter Size (")	16x25x1 (2)		16x18x1 (2)		16x18x1 (2)		16x18x1 (2)		16x18x1 (2)		16x18x1 (2)		16x18x1 (2)		
Min. Cool Cap. (Tons)	3		1.5		1.5		3		2		3		3		
Max. Cool Cap. (Tons)	5		3		3		4		3.5		5		5		

CIRCULATION AIR BLOWER DATA

NTC6050FB/GNE050B12, NTN6050FB/NNE050B12, NTC6075FB/GNE075B12 & NTN6075FB/NNE075B12

External Static Pressure Inches of W.C.	Air Delivery in Cubic Feet per Minute (C.F.M.) (Furnace Rated @0.5" WC ESP)					
	TAP	LOW	MED L	MED	MED H	HIGH
	.10	675	859	--	1015	1306
	.20	662	846	--	999	1268
	.30	651	819	--	977	1324
	.40	636	795	--	952	1193
	.50	608	765	--	914	1133
	.60	564	735	--	870	1056
	.70	514	685	--	818	980

External Static Pressure Inches of W.C.	Air Delivery in Liters Per Second (L/S) (Furnace Rated @0.5" WC ESP)					
	TAP	LOW	MED L	MED	MED H	HIGH
	.10	318	405	--	479	616
	.20	312	399	--	472	598
	.30	307	387	--	461	625
	.40	300	375	--	449	563
	.50	287	361	--	431	535
	.60	266	347	--	411	498
	.70	243	323	--	386	463

NTC6075HF/GNE075F16 & NTN6075HF/NNE075F16

External Static Pressure Inches of W.C.	Air Delivery in Cubic Feet per Minute (C.F.M.) (Furnace Rated @0.5" WC ESP)					
	TAP	LOW	MED L	MED	MED H	HIGH
	.10	1503	1722	--	--	1887
	.20	1460	1660	--	--	1810
	.30	1420	1608	--	--	1752
	.40	1370	1540	--	--	1670
	.50	1318	1484	--	--	1599
	.60	1250	1400	--	--	1520
	.70	1182	1322	--	--	1425

External Static Pressure Inches of W.C.	Air Delivery in Liters Per Second (L/S) (Furnace Rated @0.5" WC ESP)					
	TAP	LOW	MED L	MED	MED H	HIGH
	.10	709	812	--	--	891
	.20	689	784	--	--	854
	.30	670	759	--	--	827
	.40	647	727	--	--	788
	.50	622	700	--	--	755
	.60	590	661	--	--	717
	.70	558	624	--	--	673

NTC6100GF/GNE100F14

External Static Pressure Inches of W.C.	Air Delivery in Cubic Feet per Minute (C.F.M.) (Furnace Rated @0.5" WC ESP)					
	TAP	LOW	MED L	MED	MED H	HIGH
	.10	815	1043	--	1324	1649
	.20	783	1030	--	1302	1616
	.30	755	1021	--	1280	1592
	.40	735	989	--	1255	1546
	.50	704	968	--	1218	1502
	.60	668	941	--	1171	1425
.70	646	881	--	1100	1353	

External Static Pressure Inches of W.C.	Air Delivery in Liters Per Second (L/S) (Furnace Rated @0.5" WC ESP)					
	TAP	LOW	MED L	MED	MED H	HIGH
	.10	385	492	--	625	778
	.20	370	486	--	615	763
	.30	356	482	--	604	751
	.40	347	467	--	592	730
	.50	332	457	--	575	709
	.60	315	444	--	553	673
.70	305	415	--	519	639	

NTC6100KF/GNE100F20 & NTN6100KF/NNE100F20

External Static Pressure Inches of W.C.	Air Delivery in Cubic Feet per Minute (C.F.M.) (Furnace Rated @0.5" WC ESP)					
	TAP	LOW	MED L	MED	MED H	HIGH
	.10	1278	1546	--	1822	2302
	.20	1264	1543	--	1784	2731
	.30	1244	1499	--	1737	2171
	.40	1212	1471	--	1683	2098
	.50	1185	1417	--	1641	2012
	.60	1178	1367	--	1574	1921
.70	1119	1304	--	1495	1826	

External Static Pressure Inches of W.C.	Air Delivery in Liters Per Second (L/S) (Furnace Rated @0.5" WC ESP)					
	TAP	LOW	MED L	MED	MED H	HIGH
	.10	603	730	--	860	1087
	.20	597	728	--	842	1289
	.30	587	708	--	820	1025
	.40	572	694	--	794	990
	.50	559	669	--	775	950
	.60	556	645	--	743	907
.70	528	615	--	706	862	

NTC6100KJ/GNE100J20 & NTC6100KJ/GNE100J20

External Static Pressure Inches of W.C.	Air Delivery in Cubic Feet per Minute (C.F.M.) (Furnace Rated @0.5" WC ESP)					
	TAP	LOW	MED L	MED	MED H	HIGH
	.10	1210	1441	--	1773	2104
	.20	1201	1430	--	1740	2078
	.30	1197	1453	--	1740	2061
	.40	1191	1441	--	1718	2020
	.50	1167	1425	--	1707	2005
	.60	1160	1390	--	1676	1953
.70	1130	1365	--	1654	1917	

External Static Pressure Inches of W.C.	Air Delivery in Liters Per Second (L/S) (Furnace Rated @0.5" WC ESP)					
	TAP	LOW	MED L	MED	MED H	HIGH
	.10	571	680	--	837	993
	.20	567	675	--	821	981
	.30	565	686	--	821	973
	.40	562	680	--	811	953
	.50	552	673	--	806	946
	.60	548	656	--	791	922
.70	533	644	--	781	905	

NTC6125KJ/GNE125J20 & NTC6125KJ/GNE125J20

External Static Pressure Inches of W.C.	Air Delivery in Cubic Feet per Minute (C.F.M.) (Furnace Rated @0.5" WC ESP)					
	TAP	LOW	MED L	MED	MED H	HIGH
	.10	1264	1520	--	1841	2161
	.20	1251	1506	--	1803	2132
	.30	1249	1486	--	1772	2079
	.40	1219	1456	--	1736	2042
	.50	1168	1427	--	1702	1991
	.60	1178	1415	--	1672	1914
.70	1143	1358	--	1614	1838	

External Static Pressure Inches of W.C.	Air Delivery in Liters Per Second (L/S) (Furnace Rated @0.5" WC ESP)					
	TAP	LOW	MED L	MED	MED H	HIGH
	.10	597	717	--	869	1020
	.20	590	711	--	851	1006
	.30	590	701	--	836	981
	.40	575	687	--	819	964
	.50	551	674	--	803	940
	.60	556	668	--	789	903
.70	540	641	--	762	868	

NTC6150KJ/GNE150J20

External Static Pressure Inches of W.C.	Air Delivery in Cubic Feet per Minute (C.F.M.) (Furnace Rated @0.5" WC ESP)					
	TAP	LOW	MED L	MED	MED H	HIGH
	.10	1357	1542	--	1709	2073
	.20	1325	1525	--	1750	2040
	.30	1290	1503	--	1761	2014
	.40	1270	1480	--	1740	1975
	.50	1243	1464	--	1710	1953
	.60	1225	1430	--	1650	1885
.70	1195	1401	--	1602	1827	

External Static Pressure Inches of W.C.	Air Delivery in Liters Per Second (L/S) (Furnace Rated @0.5" WC ESP)					
	TAP	LOW	MED L	MED	MED H	HIGH
	.10	641	728	--	807	978
	.20	625	720	--	826	963
	.30	609	709	--	831	951
	.40	600	699	--	821	932
	.50	587	691	--	807	922
	.60	578	675	--	779	890
.70	564	661	--	756	862	

NDN6050FB/GDE050B12 & NDN6075FB/GDE075B12

External Static Pressure Inches of W.C.	Air Delivery in Cubic Feet per Minute (C.F.M.) (Furnace Rated @0.5" WC ESP)					
	TAP	LOW	MED L	MED	MED H	HIGH
	.10	675	859	--	1015	1394
	.20	662	846	--	999	1342
	.30	651	819	--	977	1289
	.40	636	795	--	952	1227
	.50	608	765	--	914	1163
	.60	564	735	--	870	1086
.70	514	685	--	818	1002	

External Static Pressure Inches of W.C.	Air Delivery in Liters Per Second (L/S) (Furnace Rated @0.5" WC ESP)					
	TAP	LOW	MED L	MED	MED H	HIGH
	.10	318	405	--	479	658
	.20	312	399	--	472	633
	.30	307	387	--	461	608
	.40	300	375	--	449	579
	.50	287	361	--	431	549
	.60	266	347	--	411	513
.70	243	323	--	386	473	

NDN6075HF/GDE075F16F

External Static Pressure Inches of W.C.	Air Delivery in Cubic Feet per Minute (C.F.M.) (Furnace Rated @0.5" WC ESP)					
	TAP	LOW	MED L	MED	MED H	HIGH
	.10	1512	--	1669	--	1840
	.20	1460	--	1610	--	1780
	.30	1402	--	1559	--	1711
	.40	1360	--	1499	--	1640
	.50	2191	--	1439	--	1572
	.60	1230	--	1360	--	1480
.70	1171	--	1270	--	1391	

External Static Pressure Inches of W.C.	Air Delivery in Liters Per Second (L/S) (Furnace Rated @0.5" WC ESP)					
	TAP	LOW	MED L	MED	MED H	HIGH
	.10	714	--	788	--	868
	.20	689	--	760	--	840
	.30	662	--	736	--	808
	.40	642	--	708	--	774
	.50	609	--	679	--	742
	.60	581	--	642	--	699
.70	553	--	603	--	657	

NDN6100GF/GDE100F14

External Static Pressure Inches of W.C.	Air Delivery in Cubic Feet per Minute (C.F.M.) (Furnace Rated @0.5" WC ESP)					
	TAP	LOW	MED L	MED	MED H	HIGH
	.10	778	984	--	1263	1576
	.20	786	1003	--	1249	1532
	.30	790	1003	--	1244	1489
	.40	788	1001	--	1215	1432
	.50	781	982	--	1186	1371
	.60	765	962	--	1146	1308
.70	743	923	--	1094	1229	

External Static Pressure Inches of W.C.	Air Delivery in Liters Per Second (L/S) (Furnace Rated @0.5" WC ESP)					
	TAP	LOW	MED L	MED	MED H	HIGH
	.10	367	464	--	596	744
	.20	371	473	--	589	723
	.30	373	473	--	587	703
	.40	372	472	--	573	676
	.50	369	463	--	560	647
	.60	361	454	--	541	617
.70	351	436	--	516	580	

NDN6100KF/GDE100F20

External Static Pressure Inches of W.C.	Air Delivery in Cubic Feet per Minute (C.F.M.) (Furnace Rated @0.5" WC ESP)					
	TAP	LOW	MED L	MED	MED H	HIGH
	.10	1305	1495	--	1805	2141
	.20	1258	1475	--	1743	2064
	.30	1241	1424	--	1698	1981
	.40	1227	1383	--	1636	1902
	.50	1178	1343	--	1563	1818
	.60	1103	1279	--	1491	1740
.70	1029	1185	--	1390	1644	

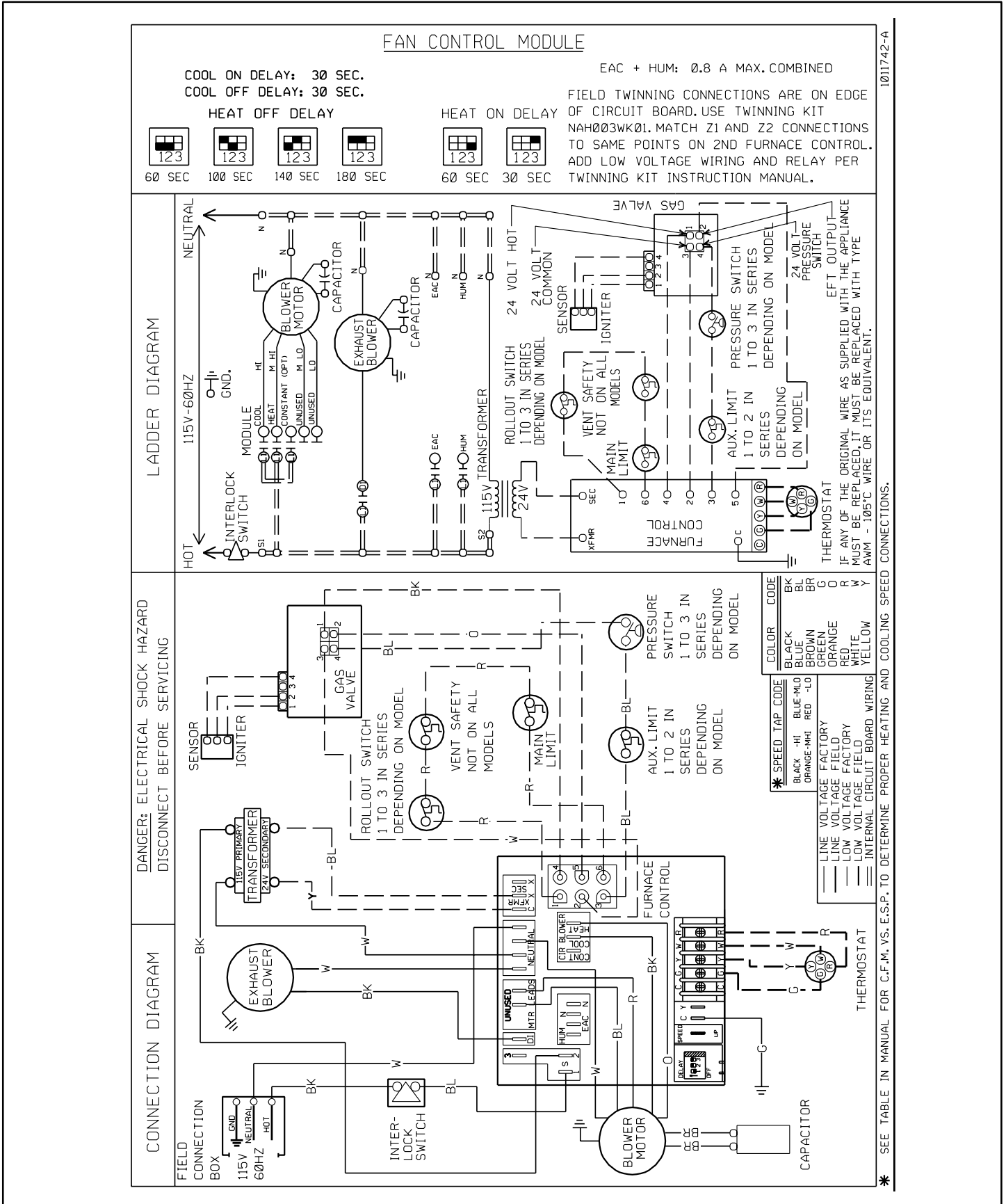
External Static Pressure Inches of W.C.	Air Delivery in Liters Per Second (L/S) (Furnace Rated @0.5" WC ESP)					
	TAP	LOW	MED L	MED	MED H	HIGH
	.10	616	706	--	852	1011
	.20	594	688	--	823	974
	.30	586	672	--	801	935
	.40	579	653	--	772	898
	.50	556	634	--	738	858
	.60	521	604	--	704	821
.70	486	559	--	656	776	

NDN6125KJ/GDE125J20

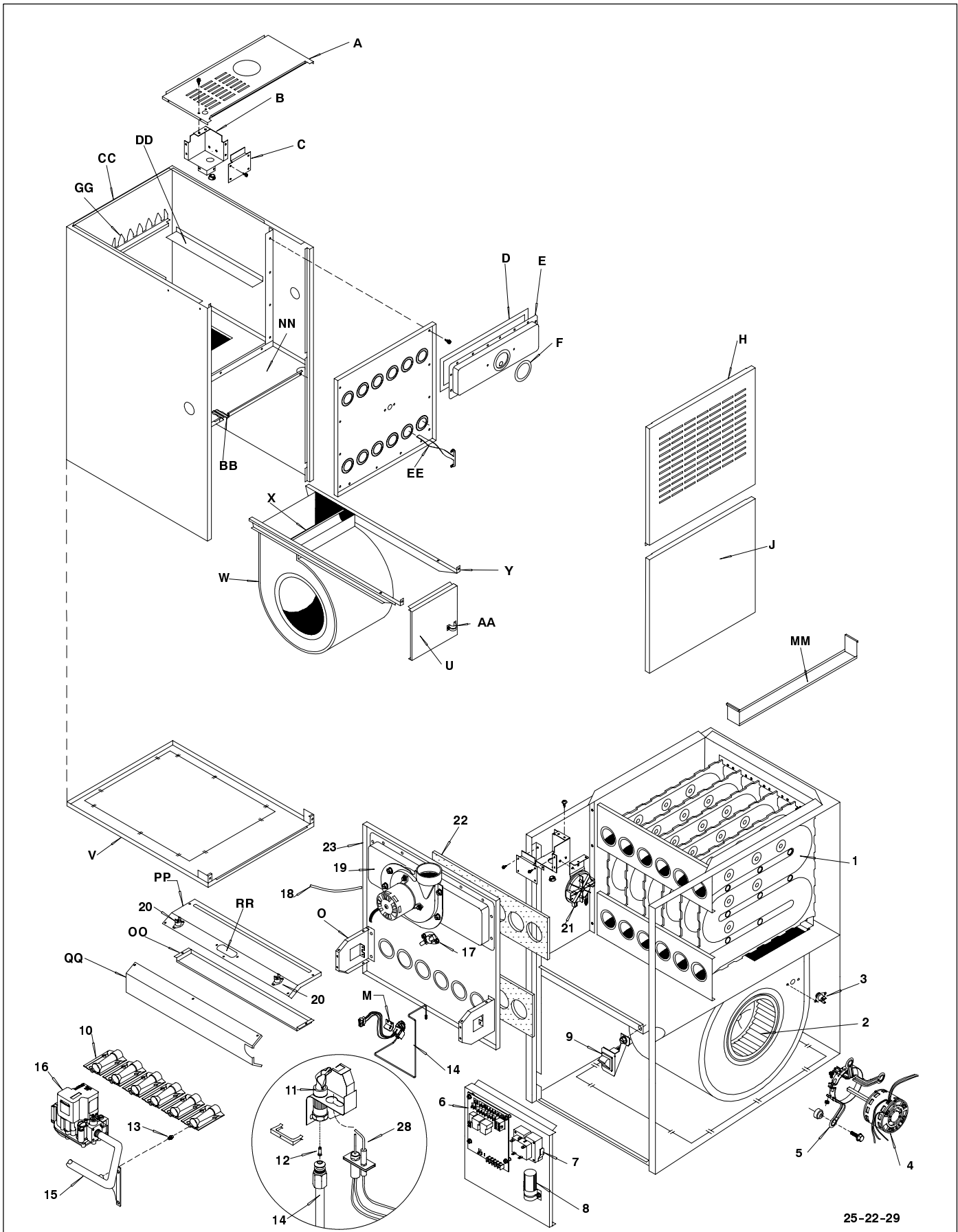
External Static Pressure Inches of W.C.	Air Delivery in Cubic Feet per Minute (C.F.M.) (Furnace Rated @0.5" WC ESP)					
	TAP	LOW	MED L	MED	MED H	HIGH
	.10	1333	1573	--	1840	2148
	.20	1294	1544	--	1816	2093
	.30	1266	1500	--	1776	2041
	.40	1240	1467	--	1726	1981
	.50	1175	1419	--	1665	1906
	.60	1141	1357	--	1607	1828
.70	1054	1308	--	1538	1751	

External Static Pressure Inches of W.C.	Air Delivery in Liters Per Second (L/S) (Furnace Rated @0.5" WC ESP)					
	TAP	LOW	MED L	MED	MED H	HIGH
	.10	629	742	--	868	1014
	.20	611	729	--	857	988
	.30	598	708	--	838	963
	.40	585	692	--	815	935
	.50	555	670	--	786	900
	.60	539	641	--	759	863
.70	497	617	--	726	826	

1. Wiring Diagram



2. NTC6/GNE & NTN6/NNE



25-22-29

Replacement Parts - NTC6/GNE (Natural Gas)

Models - NTC6050FBA, NTC6075FBA, NTC6075HFA, NTC6100GFA, NTC6100KFA, NTC6100KJA, NTC6125KJA, NTC6150KJA, GNE050B12A, GNE075B12A, GNE075F16A, GNE100F14A, GNE100F20A, GNE100J20A, GNE125J20A & GNE150J20A

Replacement part supplied will be current active part. For parts not listed, consult place of purchase.

Key No.	Functional Description	Part Number	NTC6/GNE												
			050 FBA1/ B12A1	075 FBA1/ B12A1	075 FBA2/ B12A2	075 HFA1/ F16A1	075 HFA2/ F16A2	100 GFA1/ F14A1	100 KFA1/ F20A1	100 KJA1/ J20A1	125 KJA1/ J20A1	125 KJA2/ J20A2	150 KJA1/ J20A1		
1	Heat Exchanger	1011544	1	-	-	-	-	-	-	-	-	-	-	-	-
		1011358	-	1	-	-	-	-	-	-	-	-	-	-	-
		1011359	-	-	-	1	-	-	-	-	-	-	-	-	-
		1012406	-	-	1	-	-	-	-	-	-	-	-	-	-
		1012407	-	-	-	-	1	-	-	-	-	-	-	-	-
		1011364	-	-	-	-	-	1	1	-	-	-	-	-	-
		1011363	-	-	-	-	-	-	-	1	-	-	-	-	-
		1011365	-	-	-	-	-	-	-	-	1	-	-	-	-
		1012408	-	-	-	-	-	-	-	-	-	-	1	-	-
		1011366	-	-	-	-	-	-	-	-	-	-	-	-	1
2	Blower Wheel 10-10DD	601210	-	-	-	1	1	1	-	-	-	-	-	-	-
		600587	1	1	1	-	-	-	-	-	-	-	-	-	
		1011420	-	-	-	-	-	-	1	1	1	1	1	-	
		1011433	-	-	-	-	-	-	-	-	-	-	-	1	
3	Switch, Auxiliary Limit	1000735	2	2	2	2	2	2	2	2	2	2	2	2	
4	Blower Motor 115V 1/3 HP	1009054	1	1	1	-	-	-	-	-	-	-	-	-	
		1012119	-	-	-	1	1	-	-	-	-	-	-	-	
		1009053	-	-	-	-	-	1	-	-	-	-	-	-	
		1011404	-	-	-	-	-	-	-	1	1	1	1	1	
		1010263	-	-	-	-	-	-	-	1	-	-	-	-	
5	Motor Mount Kit	609227	1	1	1	1	1	1	-	-	-	-	-	-	
		522020024	-	-	-	-	-	-	1	1	1	1	1	-	
		1002804	-	-	-	-	-	-	-	-	-	-	-	1	
6	Control, Fan Timer	1011927	1	1	1	1	1	1	1	1	1	1	1		
7	Transformer, 40VA	1011626	1	1	1	1	1	1	1	1	1	1	1		
8	Capacitor 10mf 370V	1094956	-	-	-	1	1	-	1	1	1	1	1	1	
		1094954	1	1	1	-	-	-	-	-	-	-	-	-	
		1094239	-	-	-	-	-	1	-	-	-	-	-	-	
9	Switch Door	1010886	1	1	1	1	1	1	1	1	1	1	1		
10	Burner Assembly	1008723	1	-	-	-	-	-	-	-	-	-	-	-	
		1008724	-	1	1	1	1	-	-	-	-	-	-	-	
		1008725	-	-	-	-	-	1	1	1	-	-	-	-	
		1008726	-	-	-	-	-	-	-	-	1	1	-	-	
		1009179	-	-	-	-	-	-	-	-	-	-	-	1	
		1008731	1	1	1	1	1	1	1	1	1	1	1	1	
12	Pilot Orifice,NAT (.018)	503211	1	1	1	1	1	1	1	1	1	1	1		
	Pilot Orifice,LP (.011)	1009136	1	1	1	1	1	1	1	1	1	1	1		
13	Orifice, #42 NAT	1011351	2	3	3	3	3	4	4	4	5	5	6		
	Orifice, #54 LP	1011376	2	3	3	3	3	4	4	4	5	5	6		
14	Tube, Pilot	64930	1	1	1	1	1	1	1	1	1	1	1		
15	Manifold	1011458	1	-	-	-	-	-	-	-	-	-	-		
		1011459	-	1	1	1	1	-	-	-	-	-	-		
		1011460	-	-	-	-	-	1	1	1	-	-	-		
		1011461	-	-	-	-	-	-	-	-	1	1	-		
		1011462	-	-	-	-	-	-	-	-	-	-	1		
16	Valve, Natural & LP	1011421	1	1	1	1	1	1	1	1	1	1			
17	Switch, Limit 270°F	1320365	1	-	-	-	-	1	-	-	-	-	-		
		34333002	-	1	-	-	-	-	-	-	-	-	-		
		1008418	-	-	-	1	-	-	-	-	-	-	-		
		1320363	-	-	-	-	-	-	1	-	-	-	-		
		1320364	-	-	-	-	-	-	-	1	-	-	-		
		1320362	-	-	-	-	-	-	-	-	1	-	1		
		1009169	-	-	1	-	1	-	-	-	-	-	-		
		1008445	-	-	-	-	-	-	-	-	-	1	-		
18	Tubing,Silicone 24"	1149483	1	1	1	1	1	1	1	1	1	1			
19	Combustion Blower Assem	1010975	1	1	1	1	1	1	1	1	1	1			
20	Rollout Switch, Limit	1005549	2	2	2	2	2	2	2	2	2	2			
21	Switch, Pressure	1010898	1	1	1	1	1	1	1	1	1	1			
22	Heat Exchanger Gaskets	2480904	2	-	-	-	-	-	-	-	-	-	-		
		2480905	-	2	2	2	2	-	-	-	-	-	-		
		2480906	-	-	-	-	-	2	2	2	-	-	-		
		2480907	-	-	-	-	-	-	-	-	2	2	-		
		2480908	-	-	-	-	-	-	-	-	-	-	2		

Replacement Parts - NTC6/GNE (Natural Gas)

Models - NTC6050FBA, NTC6075FBA, NTC6075HFA, NTC6100GFA, NTC6100KFA, NTC6100KJA, NTC6125KJA, NTC6150KJA, GNE050B12A, GNE075B12A, GNE075F16A, GNE100F14A, GNE100F20A, GNE100J20A, GNE125J20A & GNE150J20A

Replacement part supplied will be current active part. For parts not listed, consult place of purchase.

Key No.	Functional Description	Part Number	NTC6/GNE											
			050 FBA1/ B12A1	075 FBA1/ B12A1	075 FBA2/ B12A2	075 HFA1/ F16A1	075 HFA2/ F16A2	100 GFA1/ F14A1	100 KFA1/ F20A1	100 KJA1/ J20A1	125 KJA1/ J20A1	125 KJA2/ J20A2	150 KJA1/ J20A1	
23	Heat Exchanger Frt Partition	1008068	1	-	-	-	-	-	-	-	-	-	-	
		1008069	-	1	-	-	-	-	-	-	-	-	-	
		1008070	-	-	-	1	-	-	-	-	-	-	-	
		1008072	-	-	-	-	-	1	-	-	-	-	-	
		1008071	-	-	-	-	-	-	-	1	-	-	-	
		1008073	-	-	-	-	-	-	-	-	1	-	-	
		1008074	-	-	-	-	-	-	-	-	-	-	1	
		1012409	-	-	1	-	-	-	-	-	-	-	-	-
		1012410	-	-	-	-	1	-	-	-	-	-	-	-
		1012411	-	-	-	-	-	-	-	-	-	1	-	-
28	Ignitor/Sensor with clip	1009524	1	1	1	1	1	1	1	1	1	1		
)	PART NOT ILLUSTRATED													
)	Wire Harness Asy. Low Volt	1011861	1	1	1	1	1	1	1	1	1	1		
)	Fuse	1083348	1	1	1	1	1	1	1	1	1	1		
)	Manual, Homeowners	44102200105	1	1	1	1	1	1	1	1	1	1		
)	Manual, Installation	44101230801	1	1	1	1	1	1	1	1	1	1		
)	Manual, Tech Support	44103230902	1	1	1	1	1	1	1	1	1	1		

Key No.	Non-Functional Description	Part Number	NTC6/GNE										
			050 FBA1/ B12A1	075 FBA1/ B12A1	075 FBA2/ B12A2	075 HFA1/ F16A1	075 HFA2/ F16A2	100 GFA1/ F14A1	100 KFA1/ F20A1	100 KJA1/ J20A1	125 KJA1/ J20A1	125 KJA2/ J20A2	150 KJA1/ J20A1
A	Top	1011534	1	1	1	-	-	-	-	-	-	-	-
		1011535	-	-	-	1	1	-	-	-	-	-	-
		1011536	-	-	-	-	-	1	1	-	-	-	-
		1011537	-	-	-	-	-	-	1	1	1	1	1
		1011941	1	1	1	1	1	1	1	1	1	1	1
B	Field Connect Box	1011941	1	1	1	1	1	1	1	1	1	1	
C	Cover, Field Connect	1010360	1	1	1	1	1	1	1	1	1	1	
D	Gasket, Collector	1093661	1	1	1	1	1	-	-	-	-	-	
		1093662	-	-	-	-	-	1	1	1	-	-	
		1093663	-	-	-	-	-	-	-	-	1	1	
		1011045	1	-	-	-	-	-	-	-	-	-	
E	Collector	1011048	-	1	1	1	1	-	-	-	-	-	
		1011052	-	-	-	-	-	1	1	1	-	-	
		1011055	-	-	-	-	-	-	-	-	1	1	
		1011057	-	-	-	-	-	-	-	-	-	-	1
		1011379	1	1	1	1	1	1	1	1	1	1	1
F	Gasket, Combustion Blower	1011379	1	1	1	1	1	1	1	1	1	1	
		1011519	1	1	1	-	-	-	-	-	-	-	
H	Door, Louvered	NTC6 only	1011519	1	1	1	-	-	-	-	-	-	
		NTC6 only	1011520	-	-	-	1	1	1	-	-	-	
		NTC6 only	1011521	-	-	-	-	-	-	1	1	1	
		GNE only	1011522	1	1	1	-	-	-	-	-	-	
		GNE only	1011523	-	-	-	1	1	1	-	-	-	
J	Door, Blower	1011524	-	-	-	-	-	-	-	1	1	1	
		1010191	1	1	1	-	-	-	-	-	-	-	
		1010190	-	-	-	1	1	1	1	-	-	-	
		1010192	-	-	-	-	-	-	1	1	1	1	
M	Bracket, Pilot	1010901	1	1	1	1	1	1	1	1	1		
O	Manifold Support Bracket	1011450	2	2	2	2	2	2	2	2	2		
U	Fan Timer Bracket	1012183	1	1	1	1	1	1	1	1	1		
V	Base	1010112	1	1	1	-	-	-	-	-	-	-	
		1010113	-	-	-	1	1	1	1	-	-	-	
		1010114	-	-	-	-	-	-	1	1	1	1	
		1011680	1	1	1	-	-	-	-	-	-	-	
W	Blower Housing	1011681	-	-	-	1	1	1	-	-	-	-	
		1010481	-	-	-	-	-	-	1	1	1	-	
		1011784	-	-	-	-	-	-	-	-	-	1	
		721020008	-	-	-	1	1	1	1	1	1	-	
		721020013	1	1	1	-	-	-	-	-	-	-	
X	Blower Cutoff	721020015	-	-	-	-	-	-	-	-	-	1	
		1010690	2	2	2	2	2	2	2	2	2	-	
		1011921	-	-	-	-	-	-	-	-	-	2	
AA	Strap Capacitor	1095020	1	1	1	1	1	1	1	1	1		
BB	Rail, Blower Slide	57059	2	2	2	2	2	2	2	2	2		

Replacement Parts - NTC6/GNE (Natural Gas)

Models - NTC6050FBA, NTC6075FBA, NTC6075HFA, NTC6100GFA, NTC6100KFA, NTC6100KJA, NTC6125KJA, NTC6150KJA;
GNE050B12A, GNE075B12A, GNE075F16A, GNE100F14A, GNE100F20A, GNE100J20A, GNE125J20A & GNE150J20A

Replacement part supplied will be current active part. For parts not listed, consult place of purchase.

Key No.	Functional Description	Part Number	NTC6/GNE										
			050 FBA1/ B12A1	075 FBA1/ B12A1	075 FBA2/ B12A2	075 HFA1/ F16A1	075 HFA2/ F16A2	100 GFA1/ F14A1	100 KFA1/ F20A1	100 KJA1/ J20A1	125 KJA1/ J20A1	125 KJA2/ J20A2	150 KJA1/ J20A1
CC	Casing, Wrapper	1010610	1	1	1	-	-	1	1	-	-	-	-
		1010611	-	-	-	1	-	-	-	-	-	-	-
		1010612	-	-	-	-	-	-	1	1	1	1	1
DD	Baffle, Circulating Air	707010031	2	2	2	-	-	2	2	2	2	2	
		1009880	-	-	-	2	2	-	-	-	-	-	
GG	Heat Exchanger Support	1011026	1	-	-	-	-	-	-	-	-	-	
		750010045	-	1	1	-	-	-	-	-	-	-	
		750010046	-	-	-	1	1	-	-	1	1	-	
		1010353	-	-	-	-	-	1	1	-	-	-	
		750010047	-	-	-	-	-	-	-	-	-	-	1
MM	Baffle, Air Heat Exch.	738010022	-	-	-	-	-	-	-	-	-	3	
NN	Partition, Blower	1010810	1	1	1	-	-	-	-	-	-	-	
		1010811	-	-	-	1	1	1	1	-	-	-	
		1011075	-	-	-	-	-	-	1	1	1	-	
		1010812	-	-	-	-	-	-	-	-	-	-	1
OO	Baffle, Burner Box	1011454	1	1	1	1	1	-	-	-	-	-	
		1011455	-	-	-	-	-	1	1	1	-	-	
		1011456	-	-	-	-	-	-	-	-	1	1	
		1011457	-	-	-	-	-	-	-	-	-	-	1
		1011768	1	1	1	1	1	-	-	-	-	-	-
PP	Top, Burner Box	1011769	-	-	-	-	-	1	1	1	-	-	
		1011770	-	-	-	-	-	-	-	-	1	1	
		1011771	-	-	-	-	-	-	-	-	-	-	1
		1011469	1	1	1	1	1	-	-	-	-	-	
		1011470	-	-	-	-	-	1	1	1	-	-	
QQ	Cover, Burner Box	1011471	-	-	-	-	-	-	-	-	1	1	
		1011472	-	-	-	-	-	-	-	-	-	-	
		1011473	-	-	-	-	-	-	-	-	-	-	
		1011474	-	-	-	-	-	-	-	-	-	-	
RR	Sightglass	1011781	1	1	1	1	1	1	1	1	1	1	

Replacement Parts - NTN6/NNE (Natural Gas)

Models - NTN6050FBA, NTN6075FBA, NTN6075HFA, NTN6100KFA, NTN6100KJA, NTN6125KJA;
NNE050B12A, NNE075B12A, NNE075F16A, NNE100F20A, NNE100J20A & NNE125J20A

Replacement part supplied will be current active part. For parts not listed, consult place of purchase.

Key No.	Functional Description	Part Number	NTN6/NNE									
			050 FBA1/ B12A1	075 FBA1/ B12A1	075 FBA2/ B12A2	075 HFA1/ F16A1	075 HFA2/ F16A2	100 KFA1/ F20A1	100 KJA1/ J20A1	125 KJA1/ J20A1	125 KJA2/ J20A2	
1	Heat Exchanger	1011544	1	-	-	-	-	-	-	-	-	-
		1011358	-	1	-	-	-	-	-	-	-	-
		1011359	-	-	-	-	1	-	-	-	-	-
		1011364	-	-	-	-	-	-	1	-	-	-
		1011363	-	-	-	-	-	-	-	1	-	-
		1011365	-	-	-	-	-	-	-	-	1	-
		1012406	-	-	1	-	-	-	-	-	-	-
		1012407	-	-	-	-	-	1	-	-	-	-
		1012408	-	-	-	-	-	-	-	-	-	-
2	Blower Wheel 10-10DD 10-8DD 11-10DD	601210	-	-	-	1	1	-	-	-	-	
		600587	1	1	1	-	-	-	-	-	-	
		1011420	-	-	-	-	-	1	1	1	1	
3	Switch, Auxiliary Limit	1000735	2	2	2	2	2	2	2	2		
4	Blower Motor 115V 1/3 HP 115V 1/2 HP 115V 3/4 HP 115V 3/4 HP	1009054	1	1	1	-	-	-	-	-	-	
		1012119	-	-	-	1	1	-	-	-	-	
		1011404	-	-	-	-	-	-	-	1	1	
		1010263	-	-	-	-	-	-	1	-	-	
5	Motor Mount Kit	609227	1	1	1	1	1	-	-	-	-	
		522020024	-	-	-	-	-	1	1	1	1	
6	Control, Fan Timer	1011927	1	1	1	1	1	1	1	1		
7	Transformer, 40VA	1011626	1	1	1	1	1	1	1	1		
8	Capacitor 10mf 370V 5mf 370V	1094956	-	-	-	1	1	1	1	1	1	
		1094954	1	1	1	-	-	-	-	-	-	
9	Switch Door	1010886	1	1	1	1	1	1	1	1		

Replacement Parts - NTN6/NNE (Natural Gas)

**Models - NTN6050FBA, NTN6075FBA, NTN6075HFA, NTN6100KFA, NTN6100KJA, NTN6125KJA:
NNE050B12A, NNE075B12A, NNE075F16A, NNE100F20A, NNE100J20A & NNE125J20A**

Replacement part supplied will be current active part. For parts not listed, consult place of purchase.

Key No.	Functional Description	Part Number	NTN6/NNE									
			050 FBA1/ B12A1	075 FBA1/ B12A1	075 FBA2/ B12A2	075 HFA1/ F16A1	075 HFA2/ F16A2	100 KFA1/ F20A1	100 KJA1/ J20A1	125 KJA1/ J20A1	125 KJA2/ J20A2	
10	Burner Assembly	1008723	1	-	-	-	-	-	-	-	-	-
		1008724	-	1	1	1	1	-	-	-	-	-
		1008725	-	-	-	-	-	1	1	-	-	-
		1008726	-	-	-	-	-	-	-	-	1	1
11	Pilot, Natural & LP	1008731	1	1	1	1	1	1	1	1	1	
12	Pilot Orifice,NAT (.018) Pilot Orifice,LP (.011)	503211	1	1	1	1	1	1	1	1	1	
		1009136	1	1	1	1	1	1	1	1	1	
13	Orifice, #42 NAT Orifice, #54 LP	1011351	2	3	3	3	3	4	4	5	5	
		1011376	2	3	3	3	3	4	4	5	5	
14	Tube, Pilot	64930	1	1	1	1	1	1	1	1	1	
15	Manifold	1011458	1	-	-	-	-	-	-	-	-	-
		1011459	-	1	1	1	1	-	-	-	-	
		1011460	-	-	-	-	-	1	1	-	-	
		1011461	-	-	-	-	-	-	-	1	1	
16	Valve, Natural & LP	1011421	1	1	1	1	1	1	1	1		
17	Switch, Limit 270°F 300°F 200°F 145°F 130°F 150°F 250°F 140°F	1320365	1	-	-	-	-	-	-	-	-	
		34333002	-	1	-	-	-	-	-	-	-	
		1008418	-	-	-	1	-	-	-	-	-	
		1320363	-	-	-	-	-	1	-	-	-	
		1320364	-	-	-	-	-	-	1	-	-	
		1320362	-	-	-	-	-	-	-	1	-	
		1009169	-	-	1	-	1	-	-	-	-	
		1008445	-	-	-	-	-	-	-	-	1	
18	Tubing,Silicone 24"	1149483	1	1	1	1	1	1	1	1		
19	Combustion Blower Assembly	1010975	1	1	1	1	1	1	1	1		
20	Rollout Switch, Limit	1005549	2	2	2	2	2	2	2	2		
21	Switch, Pressure	1010898	1	1	1	1	1	1	1	1		
22	Heat Exchanger Gaskets	2480904	2	-	-	-	-	-	-	-	-	
		2480905	-	2	2	2	2	-	-	-	-	
		2480906	-	-	-	-	-	2	2	-	-	
		2480907	-	-	-	-	-	-	-	2	2	
		1008068	1	-	-	-	-	-	-	-	-	
23	Heat Exchanger Front Partition	1008069	-	1	-	-	-	-	-	-	-	
		1008070	-	-	-	1	-	-	-	-	-	
		1008072	-	-	-	-	-	1	-	-	-	
		1008071	-	-	-	-	-	-	1	-	-	
		1008073	-	-	-	-	-	-	-	-	-	
		1012409	-	-	1	-	-	-	-	-	-	
		1012410	-	-	-	-	1	-	-	-	-	
		1012411	-	-	-	-	-	-	-	-	1	
28	Ignitor/Sensor with clip	1009524	1	1	1	1	1	1	1	1		
)	PART NOT ILLUSTRATED											
)	Wire Harness Asy. Low Volt	1011861	1	1	1	1	1	1	1	1		
)	Fuse (5 Amp.)	1083348	1	1	1	1	1	1	1	1		
)	Manual, Homeowners	44102200104	1	1	1	1	1	1	1	1		
)	Manual, Installation	44101230801	1	1	1	1	1	1	1	1		
)	Manual, Tech Support	44103230902	1	1	1	1	1	1	1	1		

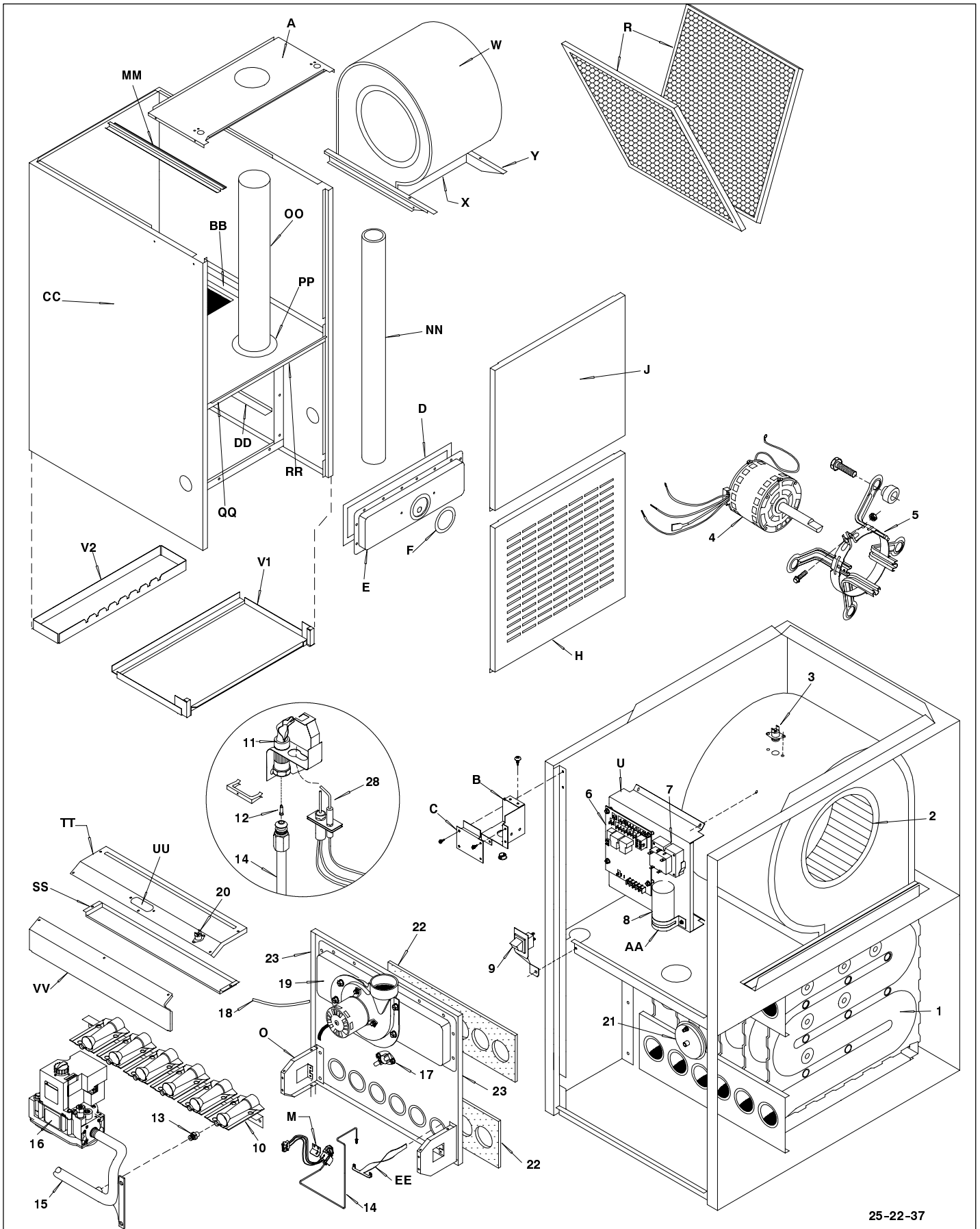
Replacement Parts - NTN6/NNE (Natural Gas)

**Models - NTN6050FBA, NTN6075FBA, NTN6075HFA, NTN6100KFA, NTN6100KJA, NTN6125KJA:
NNE050B12A, NNE075B12A, NNE075F16A, NNE100F20A, NNE100J20A & NNE125J20A**

Replacement part supplied will be current active part. For parts not listed, consult place of purchase.

Key No.	Non-Functional Description	Part Number	NTN6/NNE								
			050 FBA1/ B12A1	075 FBA1/ B12A1	075 FBA2/ B12A2	075 HFA1/ F16A1	075 HFA2/ F16A2	100 KFA1/ F20A1	100 KJA1/ J20A1	125 KJA1/ J20A1	125 KJA2/ J20A2
A	Top	1011534	1	1	1	-	-	-	-	-	-
		1011535	-	-	-	1	1	-	-	-	-
		1011536	-	-	-	-	-	1	-	-	-
		1011537	-	-	-	-	-	-	1	1	1
B	Field Connect Box	1011941	1	1	1	1	1	1	1	1	
C	Cover, Field Connect	1010360	1	1	1	1	1	1	1	1	
D	Gasket, Collector	1093661	1	1	1	1	1	-	-	-	-
		1093662	-	-	-	-	-	1	1	-	-
		1093663	-	-	-	-	-	-	-	1	1
E	Collector	1011047	1	-	-	-	-	-	-	-	-
		1011050	-	1	1	1	1	-	-	-	-
		1011053	-	-	-	-	-	1	1	-	-
		1011056	-	-	-	-	-	-	-	1	1
F	Gasket, Combustion Blower	1011379	1	1	1	1	1	1	1	1	
H	Door, Louvered	1011519	1	1	1	-	-	-	-	-	-
		1011520	-	-	-	1	1	1	-	-	-
		1011521	-	-	-	-	-	-	1	1	1
J	Door, Blower	1010191	1	1	1	-	-	-	-	-	-
		1010190	-	-	-	1	1	1	-	-	-
		1010192	-	-	-	-	-	-	1	1	1
M	Bracket, Pilot	1010901	1	1	1	1	1	1	1	1	
O	Manifold Support Bracket	1011450	2	2	2	2	2	2	2	2	
U	Fan Timer Bracket	1012183	1	1	1	1	1	1	1	1	
V	Base	1010112	1	1	1	-	-	-	-	-	-
		1010113	-	-	-	1	1	1	-	-	-
		1010114	-	-	-	-	-	-	1	1	1
W	Blower Housing	1011680	1	1	1	-	-	-	-	-	-
		1011681	-	-	-	1	1	-	-	-	-
		1010481	-	-	-	-	-	1	1	1	1
X	Blower Cutoff	721020008	-	-	-	1	1	1	1	1	1
		721020013	1	1	1	-	-	-	-	-	-
Y	Blower Hanger	1010690	2	2	2	2	2	2	2	2	
AA	Strap Capacitor	1095020	1	1	1	1	1	1	1	1	
BB	Rail, Blower Slide	57059	2	2	2	2	2	2	2	2	
CC	Casing, Wrapper	1010610	1	1	1	-	-	-	-	-	-
		1010611	-	-	-	1	1	1	-	-	-
		1010612	-	-	-	-	-	-	1	1	1
DD	Baffle, Circulating Air	707010031	2	2	2	-	-	2	2	2	2
		1009880	-	-	-	2	2	-	-	-	-
EE	Baffle, NOx	1009876	2	3	3	3	3	4	4	5	
GG	Heat Exchanger Support	1011026	1	-	-	-	-	-	-	-	-
		750010045	-	1	1	-	-	-	-	-	-
		750010046	-	-	-	1	1	-	-	1	1
		1010353	-	-	-	-	-	1	1	-	-
NN	Partition, Blower	1010810	1	1	1	-	-	-	-	-	-
		1010811	-	-	-	1	1	1	-	-	-
		1011075	-	-	-	-	-	-	1	1	1
OO	Baffle, Burner Box	1011454	1	1	1	1	1	-	-	-	-
		1011455	-	-	-	-	-	1	1	-	-
		1011456	-	-	-	-	-	-	-	1	1
PP	Top, Burner Box	1011768	1	1	1	1	1	-	-	-	-
		1011769	-	-	-	-	-	1	1	-	-
		1011770	-	-	-	-	-	-	-	1	1
QQ	Cover, Burner Box	1011469	1	1	1	1	1	-	-	-	-
		1011470	-	-	-	-	-	1	1	-	-
		1011471	-	-	-	-	-	-	-	1	1
RR	Sightglass	1011781	1	1	1	1	1	1	1	1	

3. NDN6/GDE



25-22-37

Replacement Parts - NDN6/GDE

Models - NDN6050FBA, NDN6075FBA, NDN6075HFA, NDN6100GFA, NDN6100KFA, NDN6125KJA
 GDE050B12A, GDE075B12A, GDE075F16A, GDE100F14A, GDE100F20A, GDE125J20A

Replacement part supplied will be current active part. For parts not listed, consult place of purchase.

Key No.	Description Functional	Part Number	NDN6/GDE									
			050 FBA2/ B12A2	075 FBA2/ B12A2	075 FBA3/ B12A3	075 HFA2/ F16A2	075 HFA3/ F16A3	100 GFA2/ F14A2	100 KFA2/ F20A2	125 KJA2/ J20A2	125 KJA3/ J20A3	
1	Heat Exch Assembly	1011544	1	-	-	-	-	-	-	-	-	-
		1011358	-	1	-	-	-	-	-	-	-	-
		1011359	-	-	-	1	-	-	-	-	-	-
		1011364	-	-	-	-	-	1	1	-	-	-
		1011365	-	-	-	-	-	-	-	-	1	-
		1012406	-	-	1	-	-	-	-	-	-	-
2	Blower Wheel 10-10DD	1012407	-	-	-	-	1	-	-	-	-	1
		601210	-	-	-	-	-	1	-	-	-	-
		600587	1	1	1	-	-	-	-	-	-	-
		1011420	-	-	-	1	1	-	1	1	1	1
3	Switch, Limit (Auxiliary)	1320368	1	1	1	1	1	1	1	1	1	
4	Blower Motor 115V 1/3 HP	1009054	1	1	1	-	-	-	-	-	-	-
		1012119	-	-	-	1	1	-	-	-	-	-
		1009053	-	-	-	-	-	1	-	-	-	-
		1011404	-	-	-	-	-	-	-	-	1	1
		1010263	-	-	-	-	-	-	1	-	-	-
5	Motor Mount Kit	609227	1	1	1	-	-	1	-	-	-	-
		522020024	-	-	-	1	1	-	1	1	1	1
6	Control, Fan Timer	1011927	1	1	1	1	1	1	1	1	1	
7	Transformer, 40VA	1011626	1	1	1	1	1	1	1	1	1	
8	Capacitor 10mf 370V	1094956	-	-	-	1	1	-	1	1	1	1
		1094239	-	-	-	-	-	1	-	-	-	-
		1094954	1	1	1	-	-	-	-	-	-	-
9	Switch Door	1010886	1	1	1	1	1	1	1	1	1	
10	Burner Assembly	1008723	1	-	-	-	-	-	-	-	-	-
		1008724	-	1	1	1	1	-	-	-	-	-
		1008725	-	-	-	-	-	1	1	-	-	-
		1008726	-	-	-	-	-	-	-	1	1	1
		1008731	1	1	1	1	1	1	1	1	1	1
12	Orifice, Pilot, Nat. (.018)	503211	1	1	1	1	1	1	1	1	1	1
		1009136	1	1	1	1	1	1	1	1	1	1
13	Orifice, #42, Nat.	1011351	2	3	3	3	3	4	4	5	5	5
		1011376	2	3	3	3	3	4	4	5	5	5
14	Tube, Pilot	64930	1	1	1	1	1	1	1	1	1	1
15	Manifold	1011458	1	-	-	-	-	-	-	-	-	-
		1011459	-	1	1	1	1	-	-	-	-	-
		1011460	-	-	-	-	-	1	1	-	-	-
		1011461	-	-	-	-	-	-	-	1	1	1
		1011421	1	1	1	1	1	1	1	1	1	1
17	Switch, Limit 240°F	34335002	-	1	-	1	-	-	-	-	-	-
		34335001	1	-	-	-	1	-	-	-	-	-
		1320366	-	-	-	-	-	1	-	-	-	-
		1320363	-	-	-	-	-	-	1	-	-	-
		34335000	-	-	-	-	-	-	-	1	-	-
		1320367	-	-	1	-	-	-	-	-	-	-
		1065638	-	-	-	-	-	-	-	-	-	1
18	Tubing, Silicone, (24")	1149483	1	1	1	1	1	1	1	1	1	
19	Combustion Blwr Assb.	1010975	1	1	1	1	1	1	1	1	1	
20	Rollout Switch, Limit	1005549	1	1	1	1	1	1	1	1	1	
21	Switch, Pressure	1010898	1	1	1	1	1	1	1	1	1	
22	Gasket, Heat Exchanger	2480904	2	-	-	-	-	-	-	-	-	-
		2480905	-	2	2	2	2	-	-	-	-	-
		2480906	-	-	-	-	-	2	2	-	-	-
		2480907	-	-	-	-	-	-	-	2	2	2
		1008069	-	1	-	-	-	-	-	-	-	-
23	Partition, Front Ht Exchanger	1008068	1	-	-	-	-	-	-	-	-	-
		1008072	-	-	-	-	-	1	1	-	-	-
		1008073	-	-	-	-	-	-	-	-	1	-
		1008070	-	-	-	1	-	-	-	-	-	-
		1012409	-	-	1	-	-	-	-	-	-	-
		1012410	-	-	-	-	1	-	-	-	-	-
		1012411	-	-	-	-	-	-	-	-	-	1
28	Ignitor/Sensor with clip	1009524	1	1	1	1	1	1	1	1	1	

* Parts for models converted to LP Gas using the appropriate LP Kit.

Replacement Parts - NDN6/GDE

Models - NDN6050FBA, NDN6075FBA, NDN6075HFA, NDN6100GFA, NDN6100KFA, NDN6125KJA
 GDE050B12A, GDE075B12A, GDE075F16A, GDE100F14A, GDE100F20A, GDE125J20A

Replacement part supplied will be current active part. For parts not listed, consult place of purchase.

Key No.	Description Non- Functional	Part Number	NDN6/GDE									
			050 FBA2/ B12A2	075 FBA2/ B12A2	075 FBA3/ B12A3	075 HFA2/ F16A2	075 HFA3/ F16A3	100 GFA2/ F14A2	100 KFA2/ F20A2	125 KJA2/ J20A2	125 KJA3/ J20A3	
A	Top	1010604	1	1	1	-	-	-	-	-	-	-
		1010605	-	-	-	-	-	-	1	1	-	-
		1010606	-	-	-	-	-	-	-	-	1	1
		1011176	-	-	-	1	1	-	-	-	-	-
B	Field Connect Box	1011941	1	1	1	1	1	1	1	1	1	
C	Cover, Field Connect	1010360	1	1	1	1	1	1	1	1	1	
D	Gasket, Collector	1093661	1	1	1	1	1	-	-	-	-	
		1093662	-	-	-	-	-	1	1	-	-	
		1093663	-	-	-	-	-	-	-	1	1	
E	Collector	1011047	1	-	-	-	-	-	-	-	-	
		1011050	-	1	1	1	1	-	-	-	-	
		1011053	-	-	-	-	-	1	1	-	-	
		1011056	-	-	-	-	-	-	-	1	1	
F	Gasket, Combustion Blwr	1011379	1	1	1	1	1	1	1	1		
H	Door, Louvered	1010181	1	1	1	-	-	-	-	-	-	
		1010182	-	-	-	1	1	1	1	-	-	
		1010183	-	-	-	-	-	-	-	1	1	
J	Door, Blower	1010193	1	1	1	-	-	-	-	-	-	
		1010194	-	-	-	1	1	1	1	-	-	
		1010195	-	-	-	-	-	-	-	1	1	
M	Bracket, Pilot	1010901	1	1	1	1	1	1	1	1		
O	Manifold Support Bracket	1011450	2	2	2	2	2	2	2	2		
R	Filter 18 ¹ / ₄ "X15 ³ / ₄ "X1"	1009750	2	2	2	2	2	2	2	2		
U	Support, Control	1011178	1	1	1	1	1	1	1	1		
V1	Base, Front	57080	1	1	1	-	-	-	-	-	-	
		57090	-	-	-	1	1	1	1	-	-	
		57100	-	-	-	-	-	-	-	1	1	
V2	Base, Rear	57077	1	1	1	-	-	-	-	-	-	
		57087	-	-	-	1	1	1	1	-	-	
		57097	-	-	-	-	-	-	-	1	1	
W	Blower Housing	1011783	-	-	-	1	1	-	1	1	1	
		1010579	1	1	1	-	-	-	-	-	-	
		1010580	-	-	-	-	-	1	-	-	-	
X	Blower Cutoff	721020008	-	-	-	1	1	1	1	1	1	
		721020013	1	1	1	-	-	-	-	-	-	
Y	Blower Hanger	33403100	2	2	2	2	2	2	2	2		
AA	Clamp, Capacitor	1095020	1	1	1	1	1	1	1	1		
BB	Rail, Blower Slide	33406100	2	2	2	2	2	2	2	2		
CC	Casing, Wrapper	1010616	1	1	1	-	-	-	-	-	-	
		1010617	-	-	-	1	1	1	1	-	-	
		1010618	-	-	-	-	-	-	-	1	1	
DD	Baffle, Circulating Air	707010031	2	2	2	2	2	2	2	2		
EE	NOx Baffle	1009876	2	3	3	3	3	4	4	5		
MM	Filter Holder	33411100	1	1	1	1	1	1	1	1		
NN	Flue Pipe	613193	1	1	1	1	1	1	1	1		
OO	Vent Pipe Shield	2311160	1	1	1	1	1	1	1	1		
PP	Vent Shield Endplate	57083	2	2	2	2	2	2	2	2		
RR	Partition, Blower	1011791	1	1	1	-	-	-	-	-	-	
		1011785	-	-	-	-	-	1	1	-	-	
		1011786	-	-	-	-	-	-	-	1	1	
		1011792	-	-	-	1	1	-	-	-	-	
QQ	Plate, Fill-in	1011071	1	1	1	-	-	-	-	-	-	
		1011072	-	-	-	1	1	1	1	-	-	
		1011073	-	-	-	-	-	-	-	1	1	
SS	Baffle, Burner Box	1011454	1	1	1	1	1	-	-	-	-	
		1011455	-	-	-	-	-	1	1	-	-	
		1011456	-	-	-	-	-	-	-	1	1	
TT	Top, Burner Box	1011772	1	1	1	1	1	-	-	-	-	
		1011773	-	-	-	-	-	1	1	-	-	
		1011774	-	-	-	-	-	-	-	1	1	

Replacement Parts - NDN6/GDE

Models - NDN6050FBA, NDN6075FBA, NDN6075HFA, NDN6100GFA, NDN6100KFA, NDN6125KJA
 GDE050B12A, GDE 075B12A, GDE 075F16A, GDE100F14A, GDE100F20A, GDE125J20A

Replacement part supplied will be current active part. For parts not listed, consult place of purchase.

Key No.	Description Non-Functional	Part Number	NDN6/GDE									
			050 FBA2/ B12A2	075 FBA2/ B12A2	075 FBA3/ B12A3	075 HFA2/ F16A2	075 HFA3/ F16A3	100 GFA2/ F14A2	100 KFA2/ F20A2	125 KJA2/ J20A2	125 KJA3/ J20A3	
UU	Sightglass	1011781	1	1	1	1	1	1	1	1	1	1
VV	Cover, Burner Box	1011469	1	1	1	1	1	-	-	-	-	-
		1011470	-	-	-	-	-	1	1	-	-	-
		1011471	-	-	-	-	-	-	-	-	1	1
) (PART NOT ILLUSTRATED											
) (Wire Harness Asy.	1012203	1	1	1	1	1	1	1	1	1	1
) (Fuse	1083348	1	1	1	1	1	1	1	1	1	1
) (Manual, Homeowners	44102200104	1	1	1	1	1	1	1	1	1	1
) (Manual, Installation	44101230801	1	1	1	1	1	1	1	1	1	1
) (Manual, Tech Support	44103230902	1	1	1	1	1	1	1	1	1	1
) (Manual, Vent Inst	1007374	1	1	1	1	1	1	1	1	1	1