

SEARS CANADA

Factory Parts Catalog

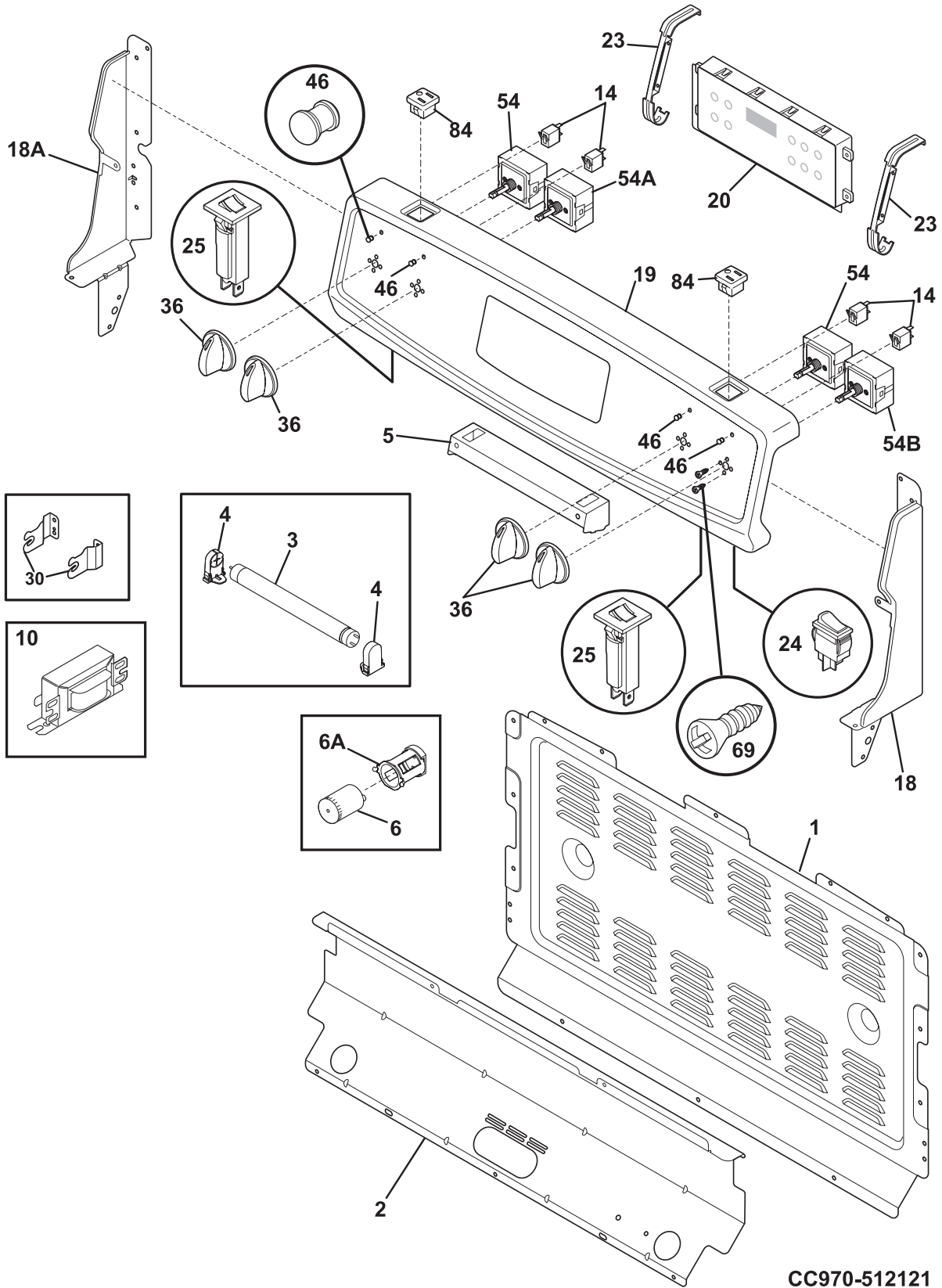
Product No.	C970-512125
	30705315C5115
Series	30" f/s elec
Color	white
Market	Canada
Wiring Diagram	318046771
Owner's Guide	318200444
Timer Guide	318200166

30-INCH FREE- STANDING ELECTRIC RANGE

Model No.
C970-5121

Publication No.
5995512414
08/04/25
(EN/SERVICE/ECL)
377

BACKGUARD

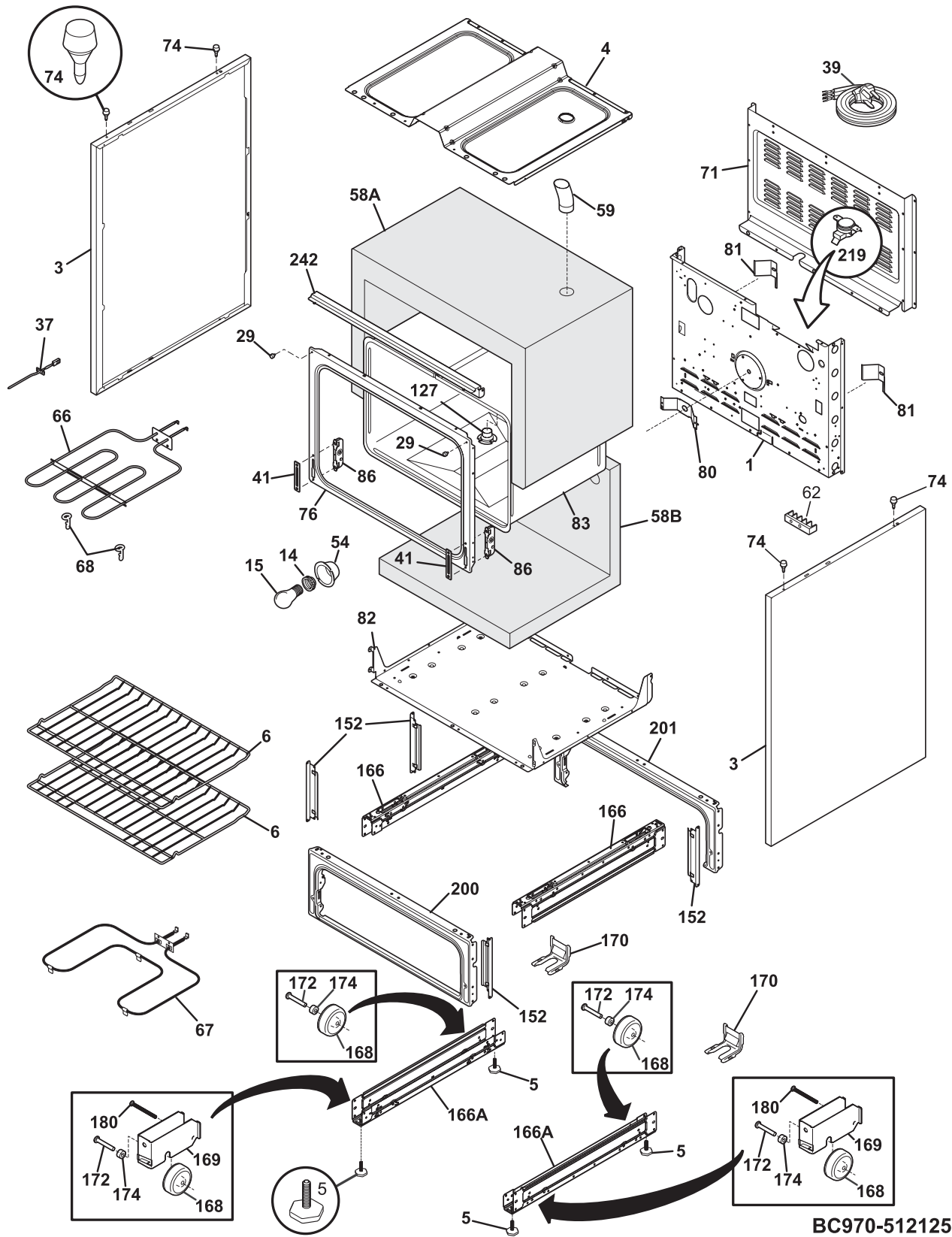


CC970-512121

BACKGUARD

POS. NO	PART NO.	DESCRIPTION
1	318314100	Panel, cover, upper
2	318288215	Shield, inner
3	5304448825	Lamp, fluorescent, backguard
4	318323401	Receptacle, lamp, RH/LH
5	318288000	Housing, light
6 #	5304448826	Starter, lamp
6A	318110400	Receptacle, starter
10 #	318122805	Ballast, lamp
14	316022500	Light/Lamp, indicator, 125 V
18	318287902	End Cap, backsplash, white, RH
18A	318287903	End Cap, backsplash, white, LH
19	318322004	Panel, control, white
20 #	318325900	Clock/Timer, electronic, white, w/overlay, ES125
20*	318324900	Overlay, control, white, ES125
23	318288100	Bracket, control, (2)
24 #	316005607	Switch, rocker, white
25	318324200	Breaker, white, (2)
30	318316900	Bracket, cooktop mtg, (2)
36	318326300	Knob, control, white
46	318228310	Lens, indicator light, (2)
54 #	318293810	Switch, surface element, small
54A#	318293811	Switch, surface element, large
69	5303323134	Screw, 8-32 x 3/16
84	318146830	Outlet, electrical, white, combined
*	318232103	Harness, wiring, light, flourecent
*	318200444	Owners Manual
*	318200166	Electronic timer guide
*	318046771	Wiring Diagram
*	08016432	Screw, truss head, 8-18 x 0.375
*	5303211311	Screw, 8 x 0.500
*	5303305528	Screw, 8-32 x 1/4

BODY

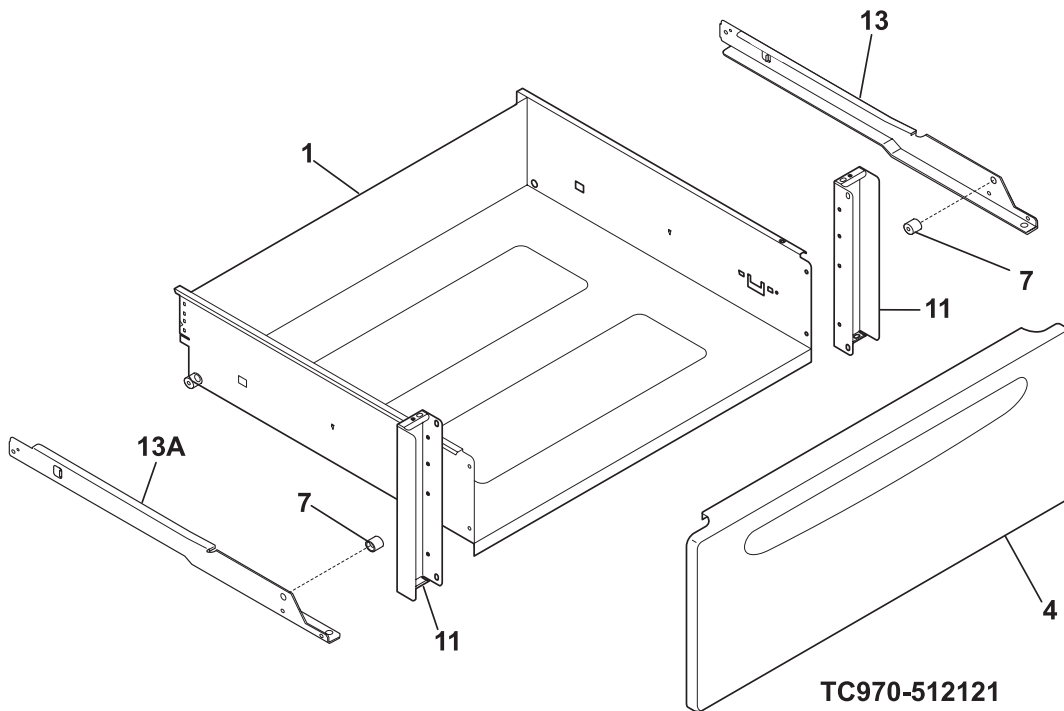
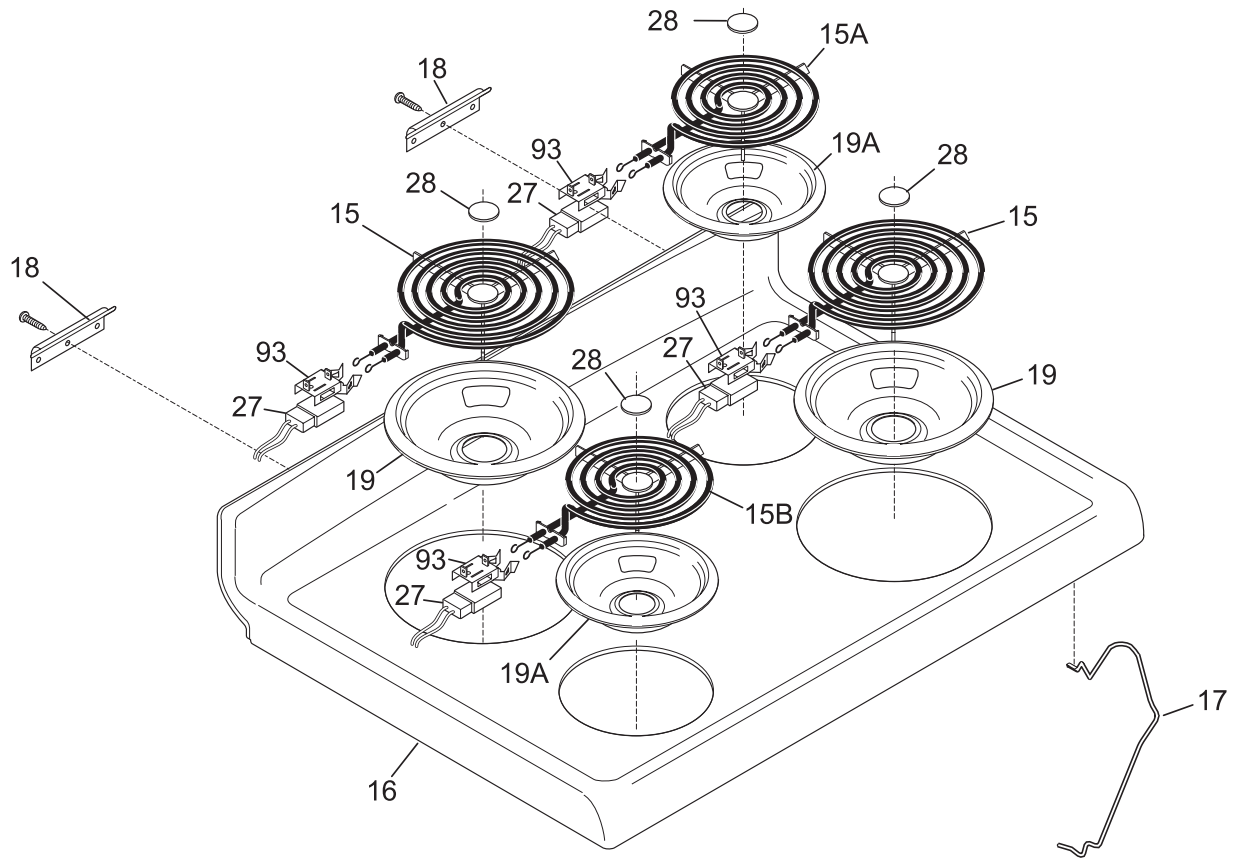


BC970-512125

BODY

POS. NO	PART NO.	DESCRIPTION
1	318259220	Back, main
3	318299801	Panel, body side, white, (2)
4	318313101	Cover, insulation
5	318175503	Screw, leveling
6	318262504	Rack, oven
9	316081900	Pan, broilerOPTIONAL ACCESSORY
10	316082000	Insert, broiler panOPTIONAL ACCESSORY
14	318224000	Receptacle, oven light
15	5303013071	Bulb/Lamp, light
29	318147411	Bumper, (2)
37 #	316217002	Probe, oven temp
39 #	318113111	Cord, electric
41	5303310526	Cover, hinge cutout
54	318222400	Housing, oven light
58A	318285074	Insulation, oven wrapper
58B	318285075	Insulation, oven back
59	318072573	Duct, oven vent
62	5303935061	Terminal Block Kit
62*	5303323139	Screw, 10-24 x 0.906
62*	5303323144	Nut, 10-32
66 #	318255600	Element, broil, 2750W
67 #	318255002	Element, bake, 3000W
68	5304403015	Support, hanger, (2), broil element
71	318300900	Panel, cover
74	318141910	Bumper, bodyside
76	318056216	Front, oven
80	5303320846	Plate, oven mtg
81	318192400	Spring, oven
*	5303211311	Screw, 8 x 0.500
82	318258707	Shield, insulation, lower
83	318261403	Liner, oven assy
86	318342400	Receptacle, hinge
127	318317000	Adapter, vent tube
152	318338500	Bracket, lateral panel, (4)
166	318298410	Bracket, base support, (2)
166A	318298400	Bracket, base support, (2)
168	08011155	Roller
169	318317200	Bracket, wheel brake
170	318170401	Anti-tip bracket
172	5304448824	Rivet, 1.4" x 1-5/8", (4)
174	318531600	Bearing, roller, (4)
180	318147800	Screw, socket head cap, lock
200	318318400	Frame, drawer, black, front, w/rollers
201	318311610	Frame, drawer, rear
219#	318003602	Thermostat, safety
242	318303105	Trim, center, black
*	318232060	Harness, wiring, main
*	5303323129	Screw, 8 X 0.750
*	5303325978	Screw, shoulder head, 8-18 X 1/2
*	5304415832	Screw, 8-18 x 0.406

TOP/DRAWER

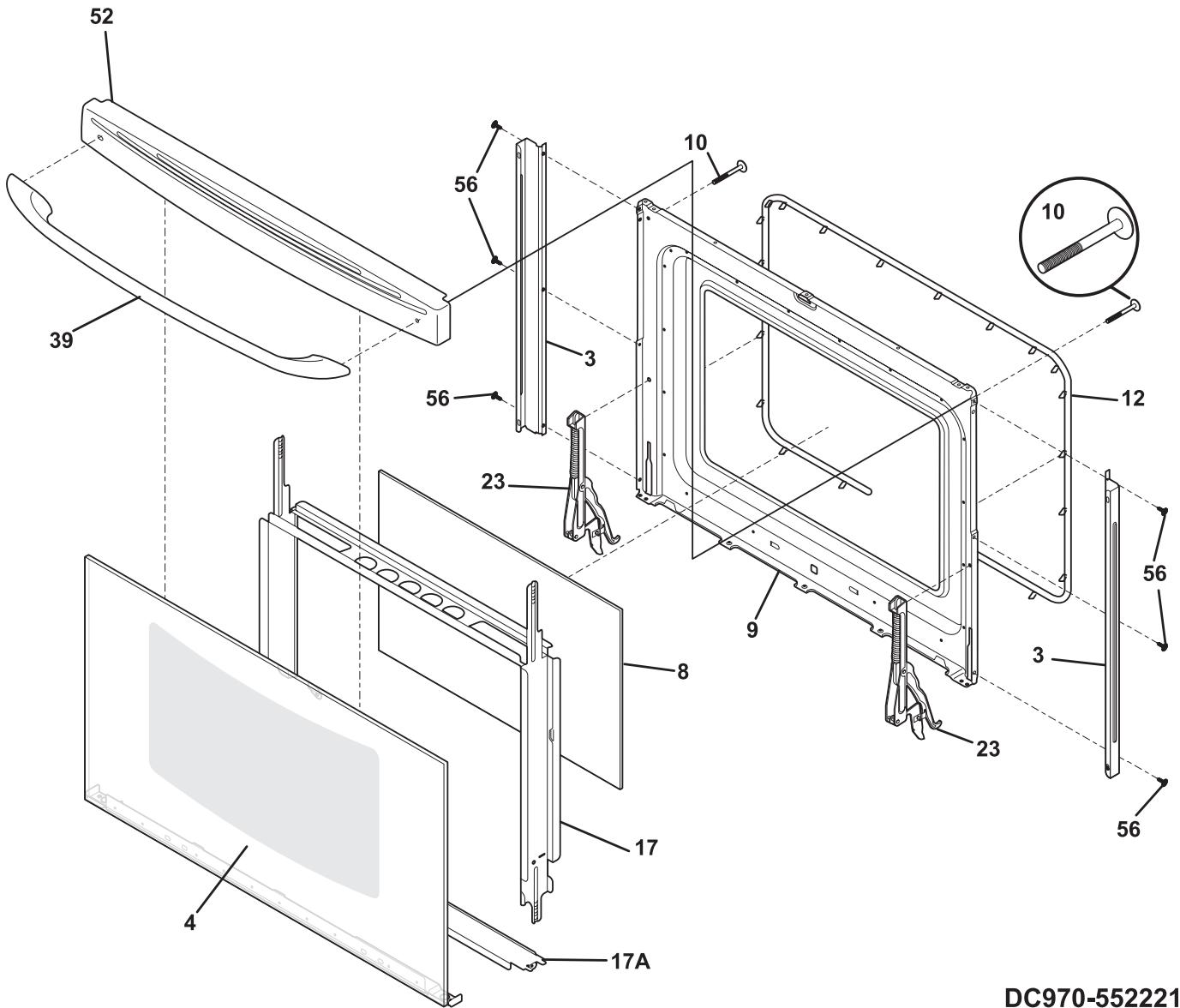


TC970-512121

TOP/DRAWER

POS. NO	PART NO.	DESCRIPTION
1	318107105	Drawer
4	318303024	Panel, drawer, white, front
7	318332200	Roller, nylon
11	318311502	Bracket, Drawer Panel, (2)
11	318311503	Bracket, Drawer Panel, (2)
13	318018100	Channel, drawer, RH
13A	318018101	Channel, drawer, LH
15 #	318372206	Element, surface, 8", large
15A#	318372201	Element, surface, 6", small
15B#	318372202	Element, surface, 6", small
16	318065781	Panel, main top, white
17	318119100	Rod, maintop support, (2)
18	318074410	Hinge, main top panel, (2)
19	318067050	Pan, surface element, large, black
19A	318067040	Pan, surface element, small, black
27 #	318368600	Terminal Block, surface element, 25", white leads
27 #	318368601	Terminal Block, surface element, 28", black leads
28	5303017715	Medallion, 1 1/2"dia, black, surface element
93	318366410	Support, terminal block, (4)
*	08016432	Screw, truss head, 8-18 x 0.375
*	5303211311	Screw, 8 x 0.500
*	5303300265	Screw, 8-18 X 1/2, (4)

DOOR

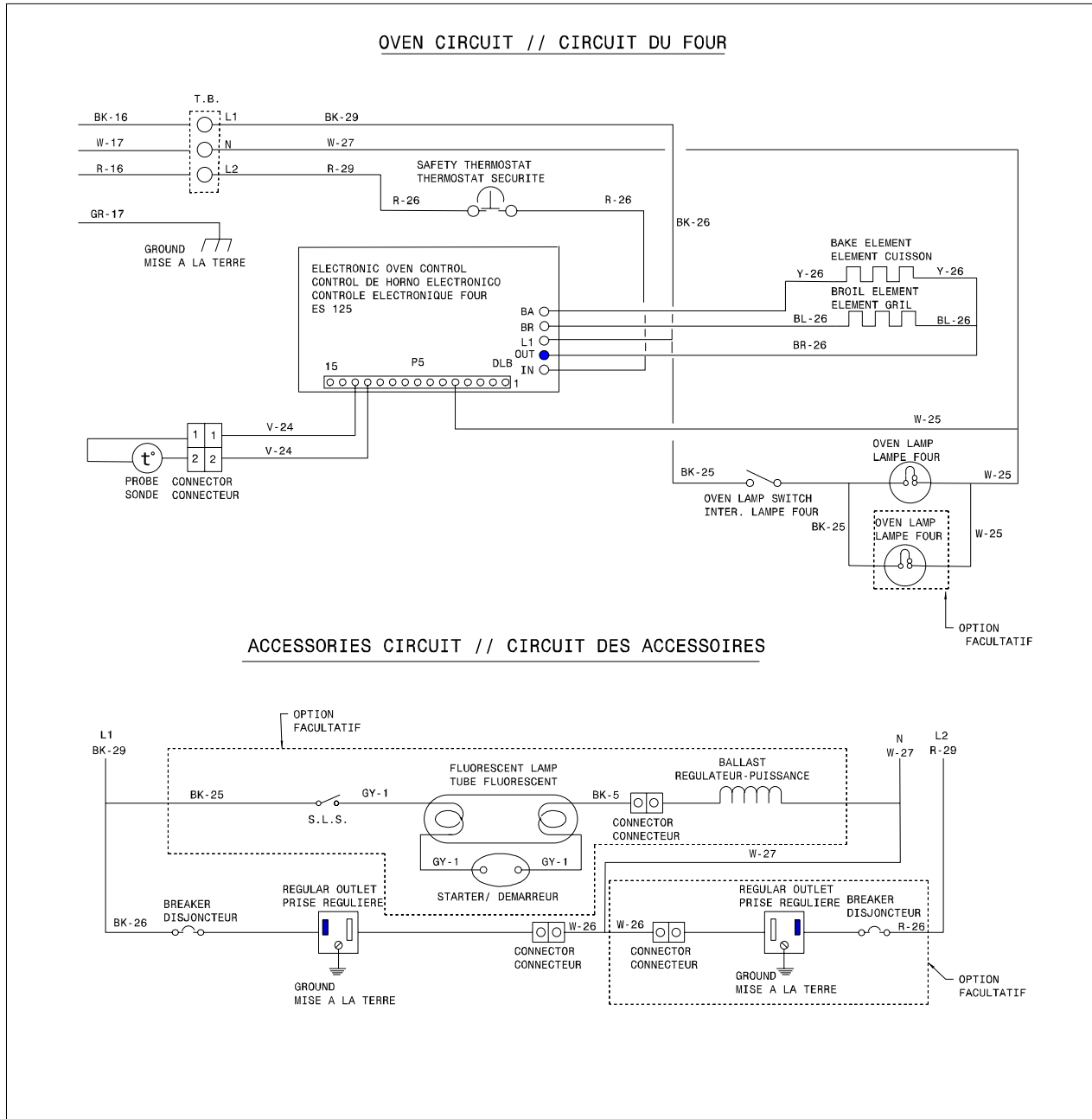


DC970-552221

DOOR

POS. NO	PART NO.	DESCRIPTION
3	318301401	Trim, oven door, white
4	318304104	Door Assembly, glass, white, w/trim
8	316117500	Glass, oven door, heat barrier
9	318259603	Liner, door, lower
10	5304453593	Screw, handle mtg.
12	318053325	Seal, door, lower oven
17	318300513	Bracket, glass
17A	318300611	Bracket, glass, lower
23	5303320452	Hinge, oven door
39	316443601	Handle, oven door, white
52	318317500	Trim, door, white, upper
56	5304436875	Screw, 8-18 X 1/2, black
56	5304448821	Screw, 8-18 X 1/2, white, (6)
*	5304415832	Screw, 8-18 x 0.406

WIRING DIAGRAM



LEGEND/LEGENDE	COLOR CODE/CODE DE COULEUR	WIRE FIL	GAUGE CALIBRE	TEMP. °C	CSA	UL	WIRE FIL	GAUGE CALIBRE	TEMP. °C	CSA	UL
SW. - SWITCH/INTERRUPTEUR	G. - GREEN/VERT	1	18	125	CL1251	3173	16	8	60		
R.F. - RIGHT FRONT/AVANT DROIT	W. - WHITE/BLANC	2	16	125	CL1251	3173	17	10	60		
R.R. - RIGHT REAR/ARRIERE DROIT	R. - RED/ROUGE	3	14	125	CL1251	3173	18	10	200	SEW-1	3122
L.F. - LEFT FRONT/AVANT GAUCHE	O. - ORANGE/ORANGE	4	12	125	CL1251	3173	19	20	125	SEW-1	3173
L.R. - LEFT REAR/ARRIERE GAUCHE	Y. - YELLOW/JAUNE	5	18	150	EXL-150	3321	20	20	200	SEW-1	3122
P.L. - PILOT LIGHT/LAMPE TEMOIN	BR. - BROWN/BRUN	6	16	150	EXL-150	3321	21	22	125	CL-1252	3266
LIM. - LIMITOR/LIMITEUR	BL. - BLUE/BLEU	7	14	150	EXL-150	3321	22	22	150		10109
W.Z. - WARMER ZONE/ZONE RECHAUD	BK. - BLACK/NOIR	8	12	150	EXL-150	3321	23	18	200		3573
UIB. - UNIT INTERFACE BOARD/PLAQUETTE INTERFACE		9	10	150	EXL-150	3321	24	20	105		1015
H.S. - HOT SURFACE/SURFACE CHAUDE		10	18	200	SEW-1	3122	25	18	105		1015
T.B. - TERMINAL BLOCK/BLOC DE CONNECTION		11	16	200	SEW-1	3122	26	16	105		1015
MDL. - MOTOR DOOR LATCH/MOTEUR PORTE VERROU		12	12	250		3252	27	14	105		1015
S.L.S. - SURFACE LAMP SWITCH/INTERRUPTEUR LAMPE-SURFACE		13	16	250		3252	28	12	105		1015
		14	20	150	EXL-150	3321	29	10	105		1015
		15	8	150	EXL-150	3321	30	22	105		1569

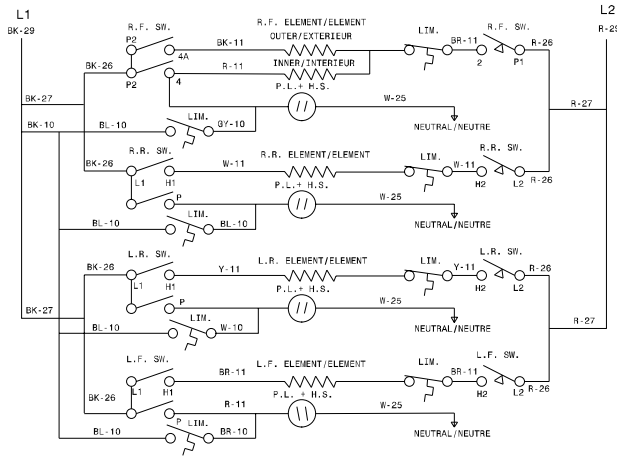
CAUTION: DISCONNECT POWER BEFORE SERVICING UNIT.
ATTENTION: COUPEZ L'ALIMENTATION AVANT D'EFFECTUER LA REPARATION.

318046771 REV:A
SHEET/FEUILLE: 1/2

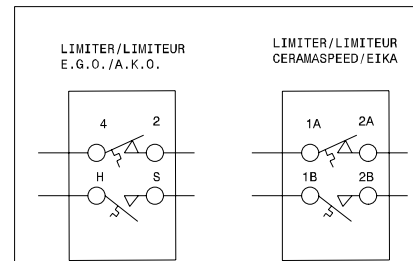
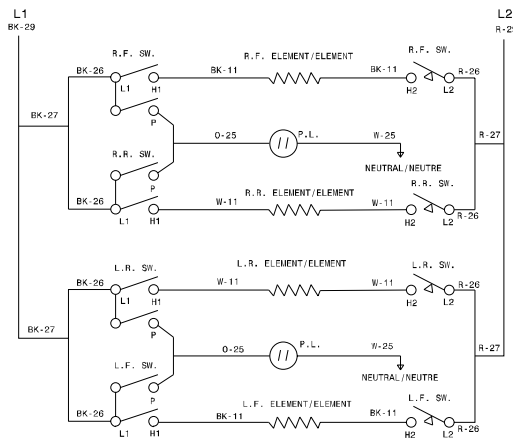
WIRING DIAGRAM

COOKTOP CIRCUIT // CIRCUIT TABLE CUISSON

**SURFACE-ELEMENT-CIRCUIT/CIRCUIT ELEMENT SURFACE
SMOOTH TOP WITH ONE DOUBLE ELEMENT/
VITRIFIEE AVEC UN ELEMENT DOUBLE**



**SURFACE-ELEMENT-CIRCUIT/CIRCUIT ELEMENT SURFACE
COIL ELEMENT/ELEMENTS SPIRALES**



**CAUTION: DISCONNECT POWER BEFORE SERVICING UNIT.
ATTENTION: COUPEZ L'ALIMENTATION AVANT D'EFFECTUER LA REPARATION.**

**318046771 REV:A
SHEET/FEUILLE: 2/2**